

# 85 SX 19/16 2011

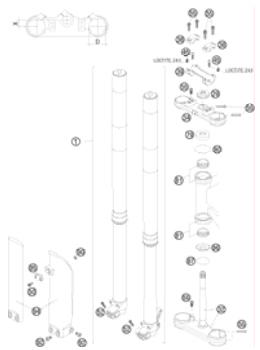
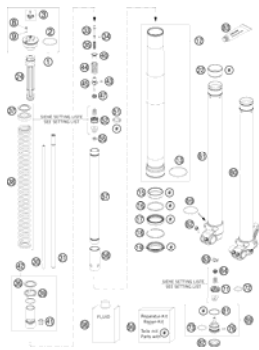
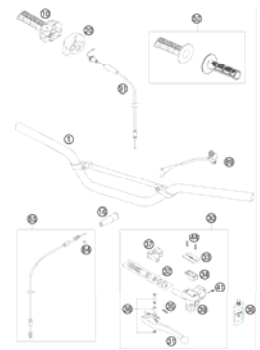
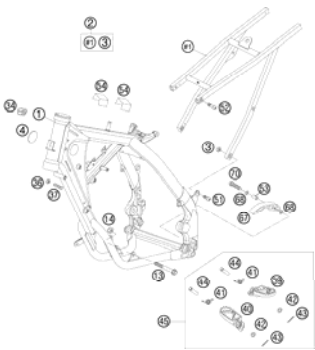
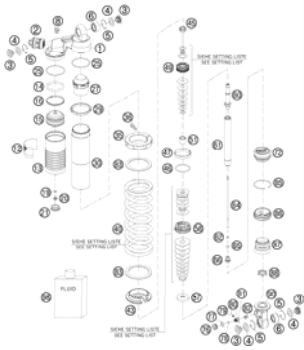
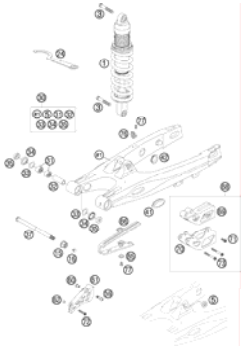
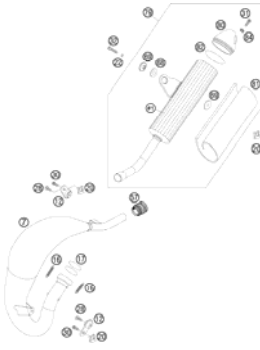
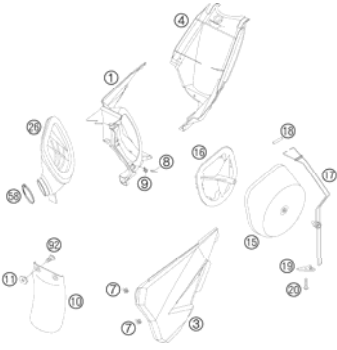
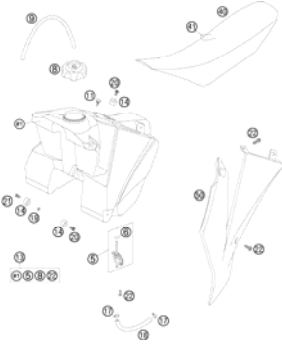
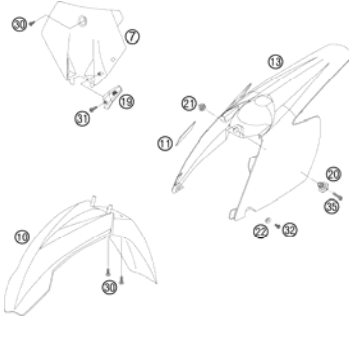

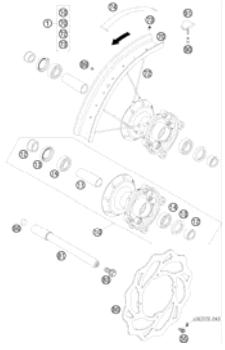
**SPARE PARTS MANUAL: CHASSIS**

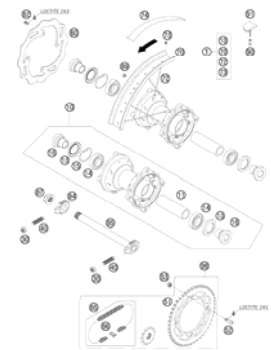
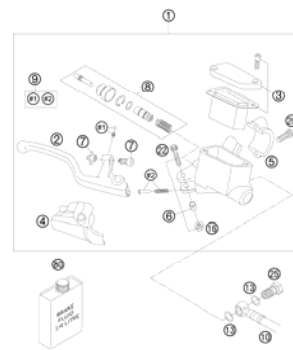

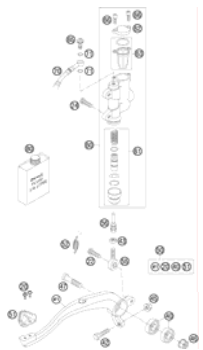
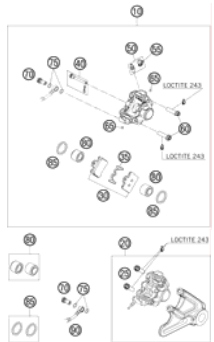
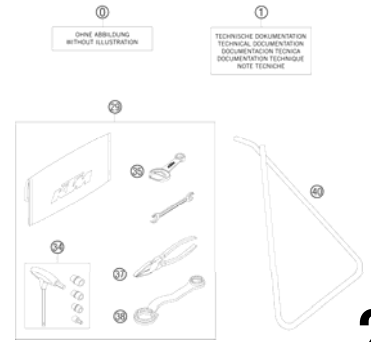
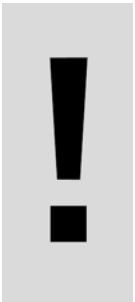
ART.NO.: 3CF6001K9EN

ENGLISH



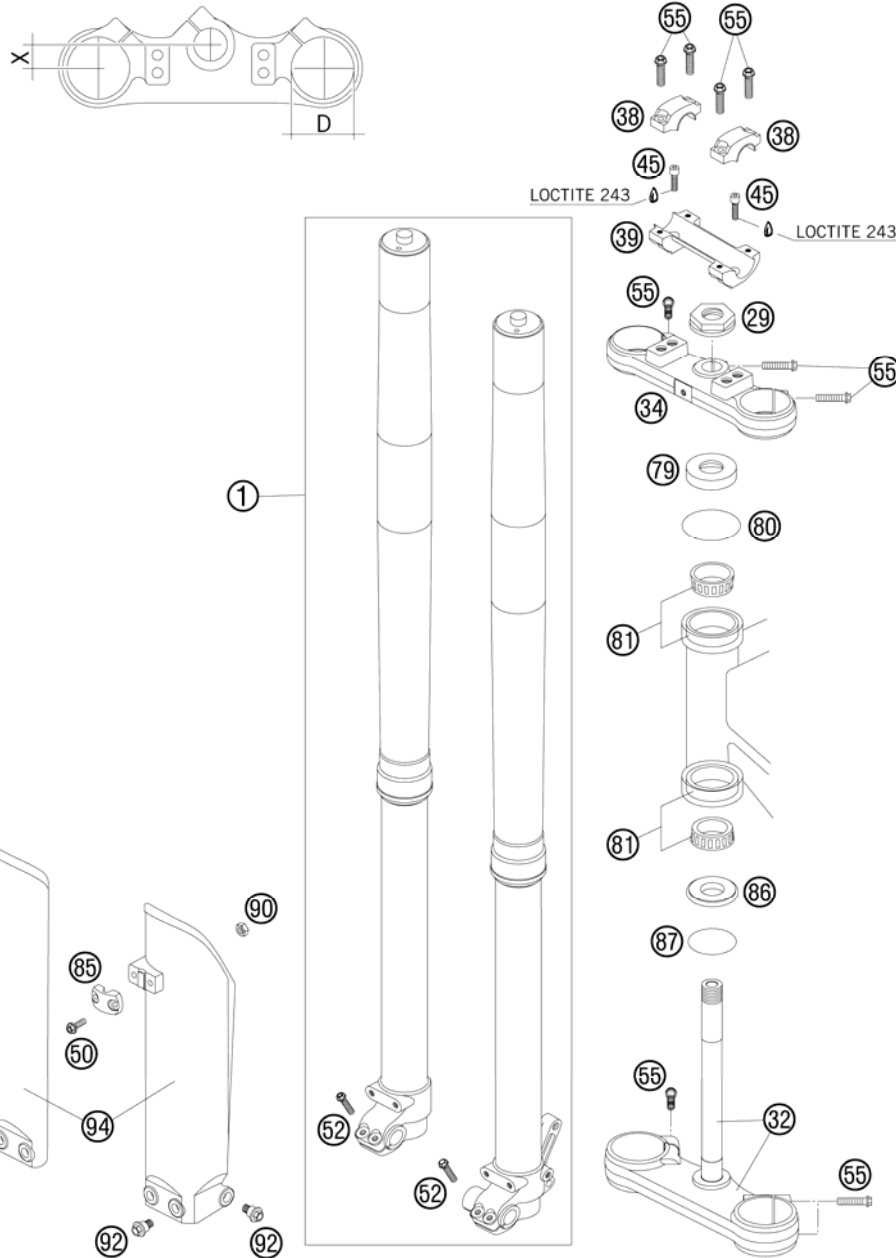


|   |  |   |   |
|---|--|---|---|
| <p><b>FRONT FORK</b></p>  <p><b>3</b></p>              | <p><b>FRONT FORK DISSASSEMBLED</b></p>  <p><b>4</b></p> | <p><b>HANDLEBAR, CONTROLS</b></p>  <p><b>6</b></p> | <p><b>FRAME, SUBFRAME</b></p>  <p><b>7</b></p> |
| <p><b>MONOSHOCK DISSASSEMBLED</b></p>  <p><b>8</b></p> | <p><b>SWING ARM</b></p>  <p><b>10</b></p>               | <p><b>EXHAUST SYSTEM</b></p>  <p><b>11</b></p>     | <p><b>AIR FILTER</b></p>  <p><b>12</b></p>     |
| <p><b>TANK, SEAT, COVERS</b></p>  <p><b>13</b></p>   | <p><b>MASK, FENDERS</b></p>  <p><b>14</b></p>        | <p><b>DECAL</b></p>  <p><b>15</b></p>            | <p><b>FRONT WHEEL</b></p>  <p><b>16</b></p>  |

|   |  |  |   |
|---|--|--|---|
| <p><b>REAR WHEEL</b></p>  <p><b>17</b></p>         | <p><b>HAND BRAKE CYLINDER</b></p>  <p><b>18</b></p> | <p><b>BRAKE CALIPER FRONT</b></p>  <p><b>19</b></p>   | <p><b>REAR BREAK CONTROL</b></p>  <p><b>20</b></p> |
| <p><b>BREAK CALIPER REAR</b></p>  <p><b>21</b></p> | <p><b>ACCESSORIES KIT</b></p>  <p><b>22</b></p>    |  |   |
|    |  | <p>All information contained is without obligation. KTM-Sportmotorcycle AG particularly reserves the right to modify any equipment, technical specifications, prices, colors, shapes, materials, services, service work, constructions, equipment and the like so as to adapt them to local conditions or to cancel any of the above items, all without previous announcement and without giving reasons. KTM may stop manufacturing certain models without previous notice. KTM shall not be held liable for any deviations of availability and/or ability to deliver, illustrations, descriptions, printing and/or other errors. The illustrated models partly contain extra equipment, which is not applied to standard models. © by KTM-SPORTMOTORCYCLE AG, Mattighofen AUSTRIA; All rights reserved; Reprint, also in extracts, with written allowance of KTM-SPORTMOTORCYCLE AG, Mattighofen only.</p> |   |

# FRONT FORK

85 SX 19/16 2011



| FIG | PART NUMBER   | DESCRIPTION                    | QTY |
|-----|---------------|--------------------------------|-----|
| 1*  | 05187K0501    | FORK KTM 85/105 SX 2011        | 1   |
| 29  | 59030029000   | HH NUT M20X1,5 WS=27 RIGHT     | 1   |
| 32  | 47001032014   | BOT.TRIPLE CLAMP CPL. 85 SX 03 | 1   |
| 34  | 47001034014   | TOP TRIPLE CLAMP 85 SX 2003    | 1   |
| 38  | 50301038000   | HANDLEBAR CLAMP D=22MM 2001    | 2   |
| 39  | 59001039000   | HANDLEBAR SUPPORT 22MM 2T 2000 | 1   |
| 45* | 0032100256S   | AH-COLLAR SCREW M10X25 ISA45   | 2   |
| 50  | 0025050166    | HH COLLAR SCREW M5X16 TX30     | 2   |
| 52  | 0025060206    | HH COLLAR SCREW M6X20 TX30     | 4   |
| 55  | 0025080306    | HH COLLAR SCREW M8X30 TX40     | 11  |
| 79  | 49001086000   | COVERING CAP                   | 1   |
| 80  | 0770021300    | O-RING 40,94X2,62 NBR70        | 1   |
| 81  | 49001081000   | TAPERED ROLLER BEARING 32004X  | 2   |
| 85* | 5460108500028 | BRAKE HOSE CLIP                | 1   |
| 86  | 46001086000   | PROTECTION RING 20,1X39X5      | 1   |
| 87  | 0770360030    | O-RING 36,00X3,00 NBR          | 1   |
| 90  | 0985050003    | SELF LOCKING NUT DIN0985-M 5   | 2   |
| 92  | 59001092050   | SPECIAL SCREW M6X12,5 WS=8     | 6   |
| 94* | 4700109400028 | FORK PROTECTOR SET 85/105 WHI  | 1   |

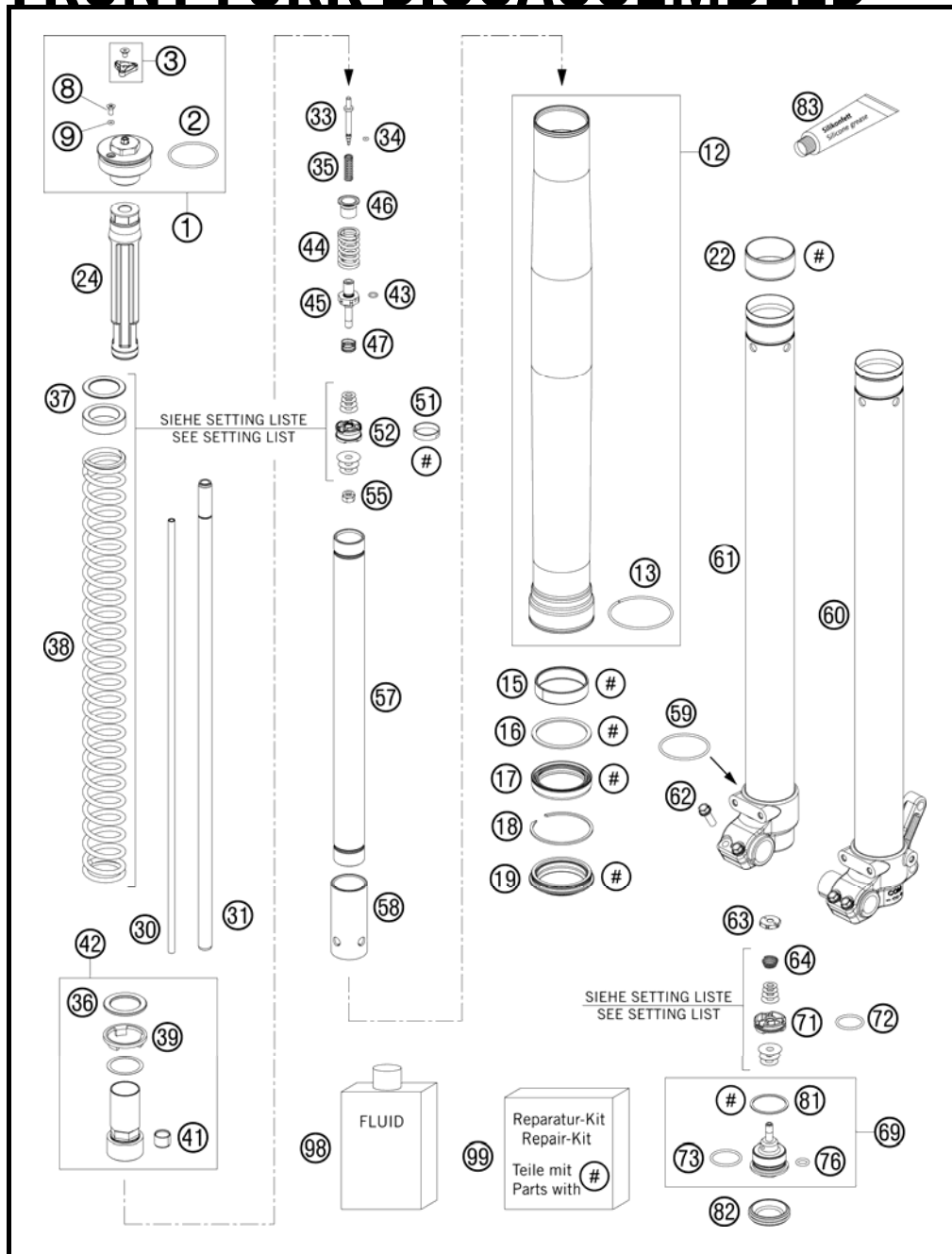
084700110 / C114700110

\* NEW PART

X AS REQUIRED

# FRONT FORK DISSASSEMBLED

85 SX 19/16 2011



| FIG | PART NUMBER | DESCRIPTION                    | QTY |
|-----|-------------|--------------------------------|-----|
| 1*  | 43570395S1  | SCREW CAP M4X1,5 CPL.          | 2   |
| 2   | 46811042    | O-RING 40,00X2,00 WP           | 2   |
| 3*  | 48600812S   | ADJUSTING KNOB + SCREW         | 2   |
| 8   | 48600481    | VENT SCREW M4X8                | 2   |
| 9   | 48600046    | O-RING NBR 3X1,5               | 2   |
| 12* | 43570614E   | OUTER TUBE L510 D49/53         | 2   |
| 13  | 43570099    | GUIDING RING D=53MM            | 2   |
| 15  | 43570204    | DU-BUSH 43X47X12 DAIDO         | 2   |
| 16  | 43570092    | SUPPORT RING 45 X 52,5 X 1,5   | 2   |
| 17  | 43570201    | OIL SEAL RING 43 X 52,9 X 9,5  | 2   |
| 18  | 43570008    | LOCK WASHER SB53               | 2   |
| 19  | 43570202    | DUST STRIPPER 43 X 53,4 X 11,8 | 2   |
| 22  | 43570203    | DU-BUSH 42X44X20               | 2   |
| 24  | 43570396S   | STOP L135MM D28,6MM D12MM CPL. | 2   |
| 30  | 48600695    | ADJUSTMENT TUBE L=442 MM       | 2   |
| 31  | 48600694    | PISTON ROD D=12MM L=476MM      | 2   |
| 33  | 48600277    | ADJUSTER NEEDLE 07             | 2   |
| 34  | 48600298    | O-RING 2X1,5 NBR               | 2   |
| 35  | 48600444    | REBOUND SPRING C=4N/MM         | 2   |
| 36* | 43570133    | SPACER 26X38X2,5               | 2   |
| 37  | 43570133    | SPACER 26X38X2,5               | 2   |
| 37  | 43570134    | SPACER 26X38X5                 | 2   |
| 37  | 43570135    | SPACER 26X38X10                | 2   |
| 37  | 43570136    | SPACER 26X38X1,5               | 2   |
| 38  | 95010031S   | SPRING 3,2 N/MM SET D=4,2MM    | x   |
| 38  | 95010032S   | SPRING 3,4 N/MM SET D=4,4MM    | x   |
| 38  | 95010033S   | SPRING 3,6 N/MM SET            | x   |
| 39  | 43570131    | INTERM. RING 26,2X38,5X3       | 2   |
| 41  | 48600430    | DU BUSH FOR PISTON ROD         | 2   |
| 42* | 48600830S2  | SCREW SLEEVE M27X0,8 CPL.      | 2   |
| 43  | 48600299    | O-RING 6X1,2 NBR               | 2   |
| 44  | 48600511    | REBOUND SPRING L=32 C=17       | 2   |
| 45  | 48600513    | TAP REBOUND 07                 | 2   |
| 46  | 48600525    | GUIDING BUSH REBOUND SPRING    | 2   |
| 47  | 48600382    | SHUTTLE VALVE SPRING C=0,4     | 2   |

114700130 / C114700130

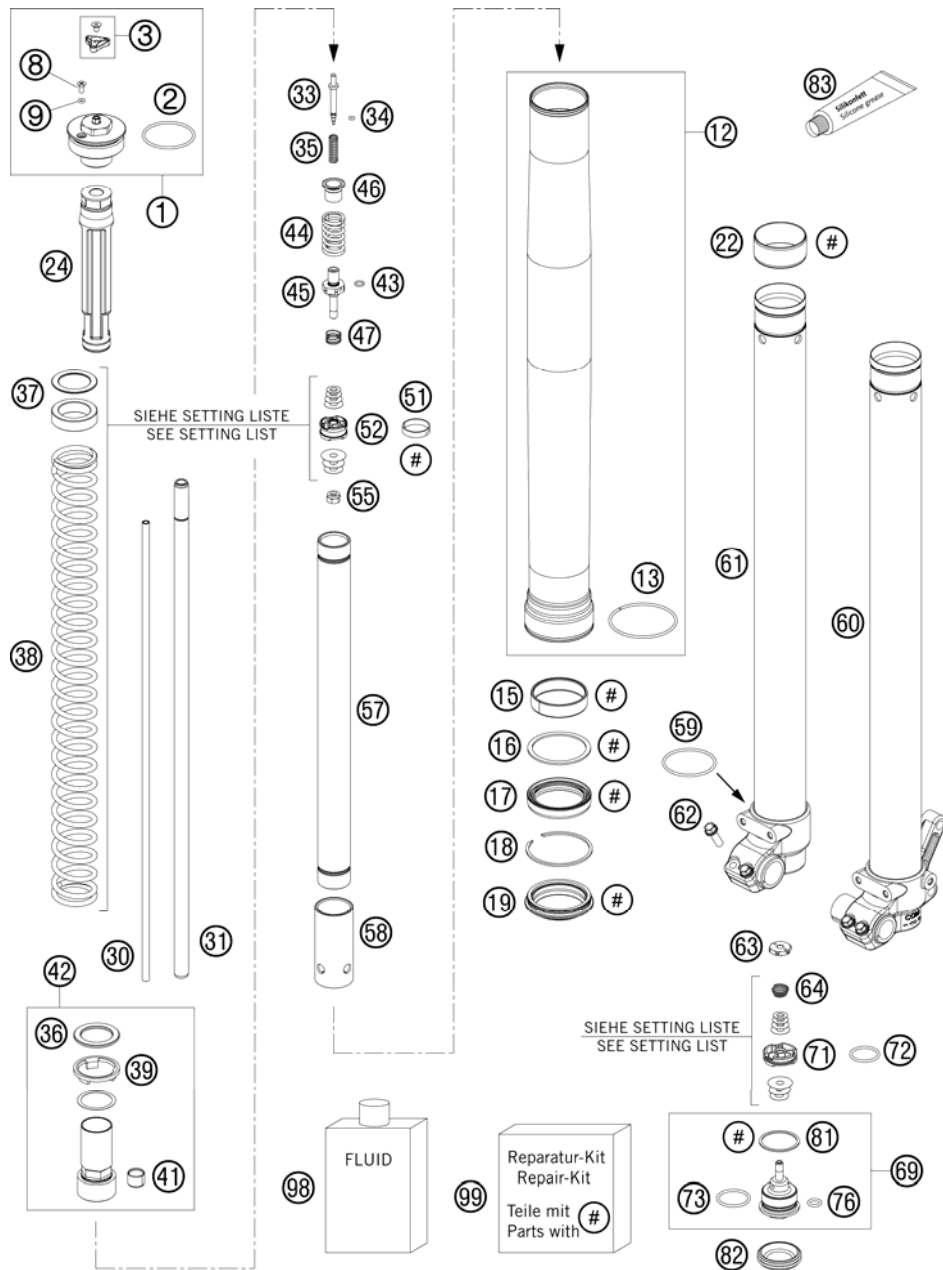
\* NEW PART

X AS REQUIRED



# FRONT FORK DISSASSEMBLED

85 SX 19/16 2011



| FIG | PART NUMBER | DESCRIPTION                  | QTY |
|-----|-------------|------------------------------|-----|
| 51* | 48600455    | PISTON RING 5X1X68           | 2   |
| 52* | 48600575    | PISTON REBOUND SX 2007       | 2   |
| 55  | 40540486    | NUT M6X0,5 REBOUND           | 2   |
| 57* | 48600870    | TUBE 23 L=330                | 2   |
| 58* | 48600764    | ADAPTER SLEEVE D23/D28       | 2   |
| 59  | 43570023    | O-RING NBR 41X2              | 2   |
| 60* | 43570528S1  | AXLE CLAMP L/S + TUBE CPL.   | 1   |
| 61* | 43570527S1  | AXLE CLAMP R/S + TUBE CPL.   | 1   |
| 62  | 0025060206  | HH COLLAR SCREW M6X20 TX30   | 4   |
| 63* | 48600885    | NUT VALVE M6X0,5 LH=1,2      | 2   |
| 64  | 48600202    | SPRING CHECK VALVE D=0,7     | 2   |
| 69  | 48600586S   | TAP COMPRESSION CPL. 07      | 2   |
| 71  | 48600047    | PISTON COMPRESSION D=27,9    | 2   |
| 72  | 46811499    | O-RING NBR 21X2              | 2   |
| 73  | 35480320    | O-RING NBR 24X2              | 2   |
| 76  | 48600049    | O-RING NBR 8X2               | 2   |
| 81  | 48600004    | COPPER WASHER 29,5X33,5X1    | 2   |
| 82  | 48600141    | RUBBER CAP D=35MM            | 2   |
| 83  | 48600765S1  | FORK OIL SAE5 5L 2008        | 1   |
| 98  | T511        | SILICONE GREASE F. DUST STRI | 1   |
| 99* | R511        | REPAIR-KIT                   | 1   |

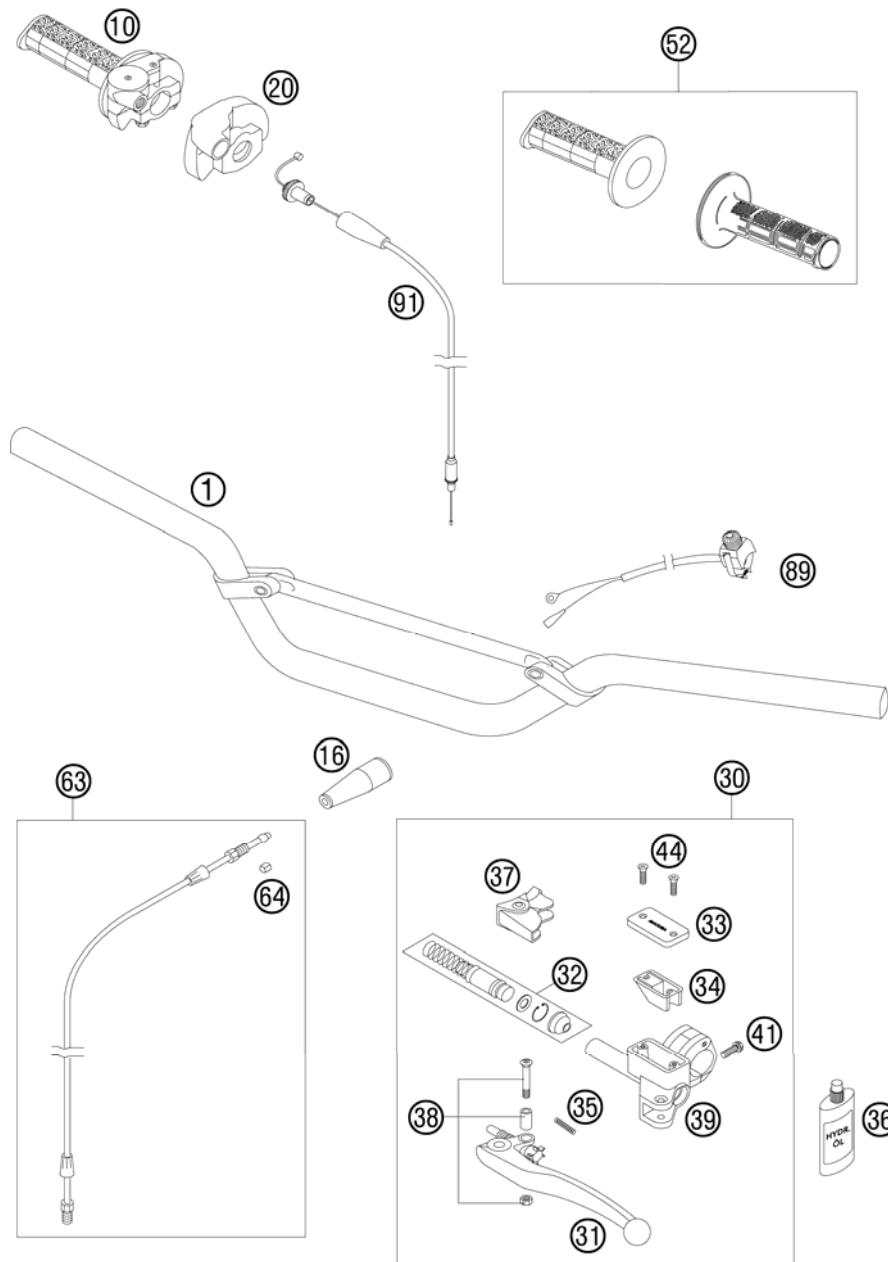
114700130 / C114700130

\* NEW PART

X AS REQUIRED

# HANDLEBAR, CONTROLS

85 SX 19/16 2011



| FIG | PART NUMBER | DESCRIPTION                     | QTY |
|-----|-------------|---------------------------------|-----|
| 1   | 47002001100 | HANDLEBAR D=22MM 85 SX 2005     | 1   |
| 10  | 50302010000 | THR.TWIST CRIP CPL. W.O. C. '97 | 1   |
| 16  | 54002016000 | PROTECTION CAP                  | 1   |
| 20  | 50302020000 | PROTECTION COVER '97            | 1   |
| 30  | 46102030100 | MASTER CYLINDER CPL. D=9MM 05   | 1   |
| 31  | 54602031000 | CLUTCH LEVER SHORT CPL. 2003    | 1   |
| 31  | 59002031000 | CLUTCH LEVER LONG CPL. 2003     | x   |
| 32  | 59002032100 | REP.KIT PISTON 9,0MM RAC. 2004  | 1   |
| 33  | 50302033100 | COVER HYD.CLUTCH 2T 2000        | 1   |
| 34  | 50302034000 | RUBBER FOR RESERVOIR '98        | 1   |
| 35  | 59002035000 | SPRING FOR CLUTCH LEVER 03      | 1   |
| 36  | 50302036200 | OIL FOR HYD. CLUTCH 75ML        | 1   |
| 37  | 50302037000 | PROTECT.CAP FOR LEVER PERCH'98  | 1   |
| 38  | 50302038000 | LEVER SCREW CPL. 125-200 '98    | 1   |
| 39  | 50302030150 | CLAMP WITH PIN 2000             | 1   |
| 41  | 0025060206  | HH COLLAR SCREW M6X20 TX30      | 1   |
| 44  | 0965040123  | FLAT HEAD SCREW DIN0965-M 4X12  | 2   |
| 52  | 50202021000 | GRIPP SET HALF WAFFLE           | x   |
| 63  | 46132063000 | PIPE KIT FOR HYDR.CLUTCH 65 SX  | 1   |
| 64  | 50332063050 | SELF CUTTING RING HYDR.PIPE     | 1   |
| 89  | 50311089200 | SHORT CIRCUIT BUTTON 02         | 1   |
| 91  | 50302091000 | THROTTLE C. 125-380 DOM./KEIH.  | 1   |

084700211 / C094700211

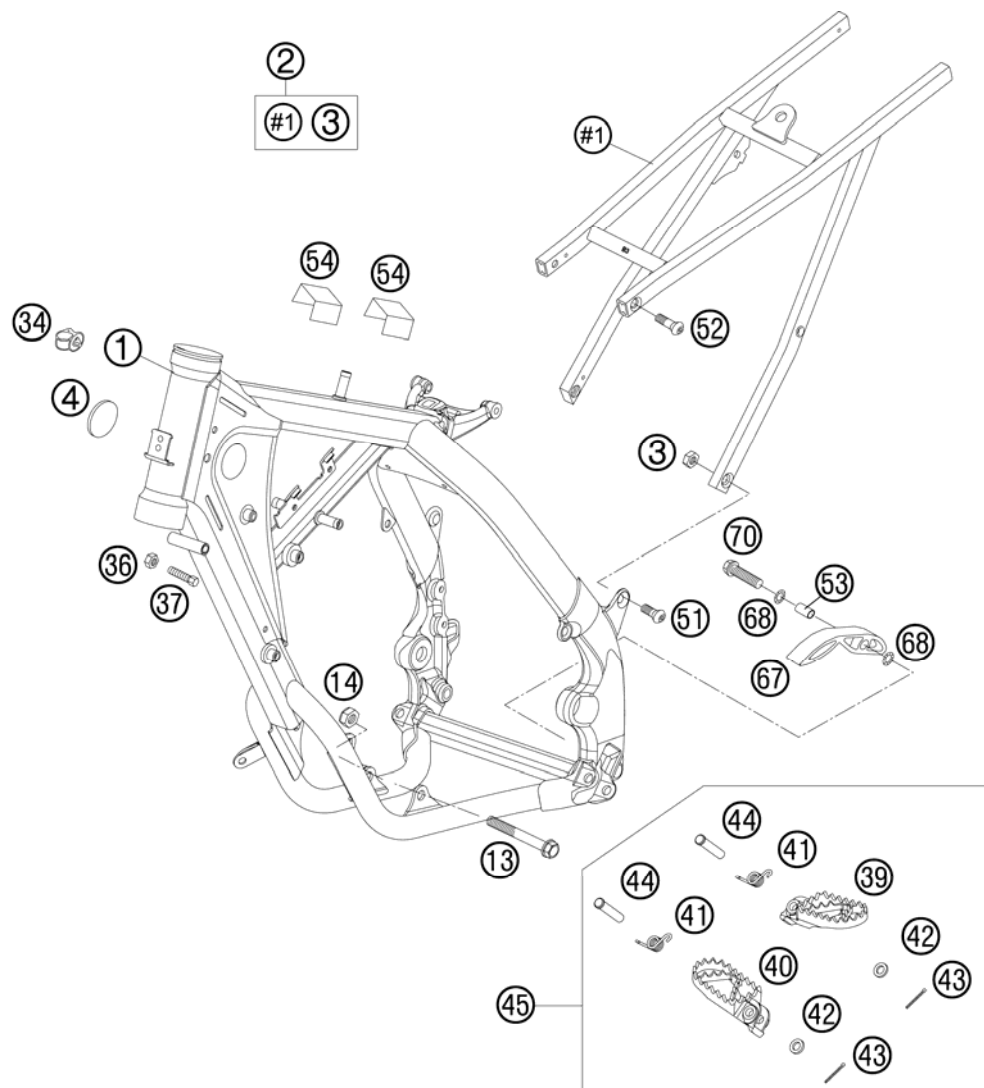
\* NEW PART

X AS REQUIRED



# FRAME, SUBFRAME

85 SX 19/16 2011



| FIG | PART NUMBER   | DESCRIPTION                    | QTY |
|-----|---------------|--------------------------------|-----|
| 1   | 4700300120030 | FRAME CPL. 85 SX "AA06" 06     | 1   |
| 2   | 47003002144   | SUB FRAME 85 SX 06             | 1   |
| 3   | 0934080006    | HEXAGON NUT DIN 934 M8         | 2   |
| 4   | 54606004000   | PLUG 37MM                      | 2   |
| 13  | 47003013000   | ENGINE BRACKET SCREW 85 SX     | 2   |
| 14  | 54310086100   | SELF LOCKING NUT M10 CU WS=14  | 2   |
| 34  | 58111076000   | CABLE SUPPORT KHS NR.150-47610 | 2   |
| 36  | 0934080003    | HEXAGON NUT DIN0934-M 8        | 2   |
| 37  | 59001037000   | SPECIAL SCREW M8X26 WS=10      | 1   |
| 39  | 59003040050   | FOOT PED L/S EXC SILVER 2000   | 1   |
| 40  | 59003041050   | FOOT PED R/S EXC SILVER 2000   | 1   |
| 41  | 54603041000   | FOOTREST SPRING L/S & R/S      | 2   |
| 42  | 0125100003    | WASHER DIN0125-A10,5           | 2   |
| 43  | 0094032253    | PIN DIN0094-3,2X25 STEEL       | 2   |
| 44  | 54803044000   | BOLT FOR FOOT PED 03           | 2   |
| 45  | 4700304003390 | FOOTPEG L.+R. CPL. 85 SX 03    | 1   |
| 51  | 0019080206S   | FLAT HEAD SCREW M. ISA45 M8X20 | 2   |
| 52  | 0019080266S   | COUNTER-SUNK SCREW ISA45 M8X26 | 2   |
| 53  | 51103053051   | BUSHING 8,2X10X20              | 1   |
| 54  | 58711054050   | METAMOLL FOR BATTERY BRACKET   | 2   |
| 67  | 51103053000   | CHAIN SLIDING PIECE BELOW '97  | 1   |
| 68  | 36003014000   | LOCK WASHER 8MM                | 2   |
| 70  | 0025080306    | HH COLLAR SCREW M8X30 TX40     | 1   |

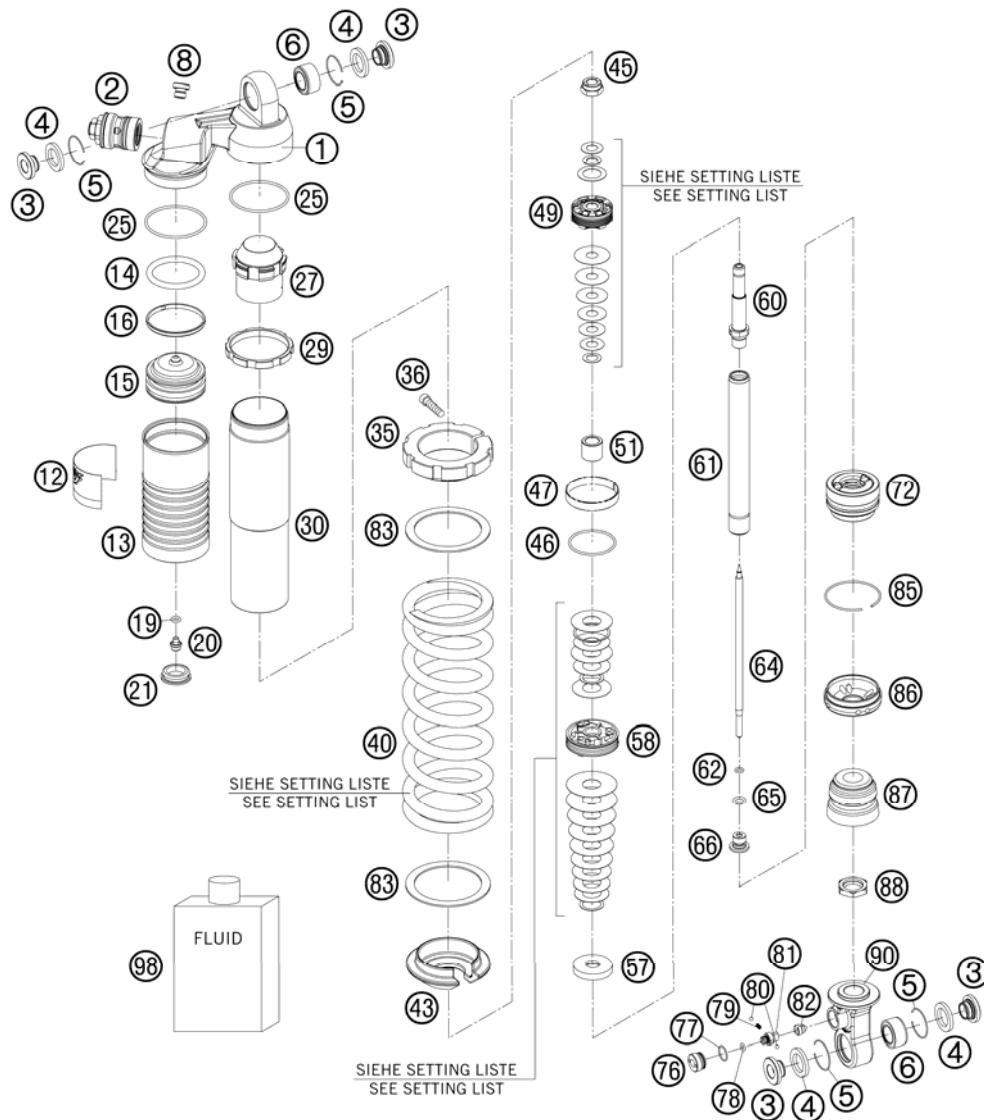
084700312 / C104700312

\* NEW PART

X AS REQUIRED

# MONOSHOCK DISASSEMBLED

85 SX 19/16 2011



| FIG | PART NUMBER | DESCRIPTION                    | QTY |
|-----|-------------|--------------------------------|-----|
| 1   | 46180348    | SHOCK ABSORBER TOP H40 135DEG. | 1   |
| 2   | 50180213S10 | DCC-COMPR.DAMP.CONTROL CPL. 07 | 1   |
| 3   | 46180007    | ADAPTOR BUSH KGW 12X24         | 4   |
| 4   | 46180003    | OIL SEAL KGW D=25              | 4   |
| 5   | 50180168    | WASHER KGW D=25                | 4   |
| 6   | 50180005    | BUSHING KGW 1525 HD            | 2   |
| 8   | 50180095    | BLEED PLUG R 1/8               | 1   |
| 12  | 52000014    | STICKER WP 35X55               | 1   |
| 13  | 50180522    | RES. SCREW L=100 D=52 BLACK    | 1   |
| 14  | 46180014    | O-RING VITON 41X5              | 1   |
| 15  | 46180002    | SEPARATION PISTON D=52, H=32   | 1   |
| 16  | 46180015    | PISTON RING 3,9X1,5X156        | 1   |
| 19  | 46810893    | O-RING NBR 5,28X1,78           | 1   |
| 20  | 36120151    | SCREW PLUG M5X6                | 1   |
| 21  | 46811208    | RUBBER CAP "DO NOT OPEN"       | 1   |
| 25  | 46810016    | O-RING NBR 48X2                | 2   |
| 27  | 46180340    | SLEEVE D=48                    | 1   |
| 29  | 46180352    | LOCK WASHER M52X1,5            | 1   |
| 30  | 46180345    | TUBE M52X1,5                   | 1   |
| 35  | 46180353    | SPRING RETAINER M52X1,5        | 1   |
| 36  | 0912050253  | AH SCREW DIN0912-M 5X25        | 1   |
| 40  | 91010201    | SPRING (59) 215 45 N/MM D=10   | x   |
| 40  | 91010272    | SPRING 215 30 N/MM D=9,00 ORAN | x   |
| 40  | 91010273    | SPRING 215 35 N/MM D=9,25 ORAN | 1   |
| 40  | 91010274S   | SPRING 215 40 N/MM D=9,50 ORG  | x   |
| 43  | 46180349    | SPRING WASHER H=15 D=28        | 1   |
| 45  | 46180356    | PISTON ROD NUT M10X1           | 1   |
| 46  | 46810035    | O-RING VITON 37,82X1,78        | 1   |
| 47  | 46811206    | PISTON RING 8X46               | 1   |
| 49  | 14460016    | PISTON + PISTON SPRING         | 1   |
| 51  | 46180339    | SEPARATION BUSH 17X12X18       | 1   |
| 57  | 46180179    | REBOUND DISC H=0               | x   |
| 57  | 46180337    | REBOUND DISC H=4               | 1   |
| 58  | 46180441    | PISTON 5X4,5X/6X6              | 1   |
| 60  | 46180343    | TAP PISTON ROD D=13,5          | 1   |

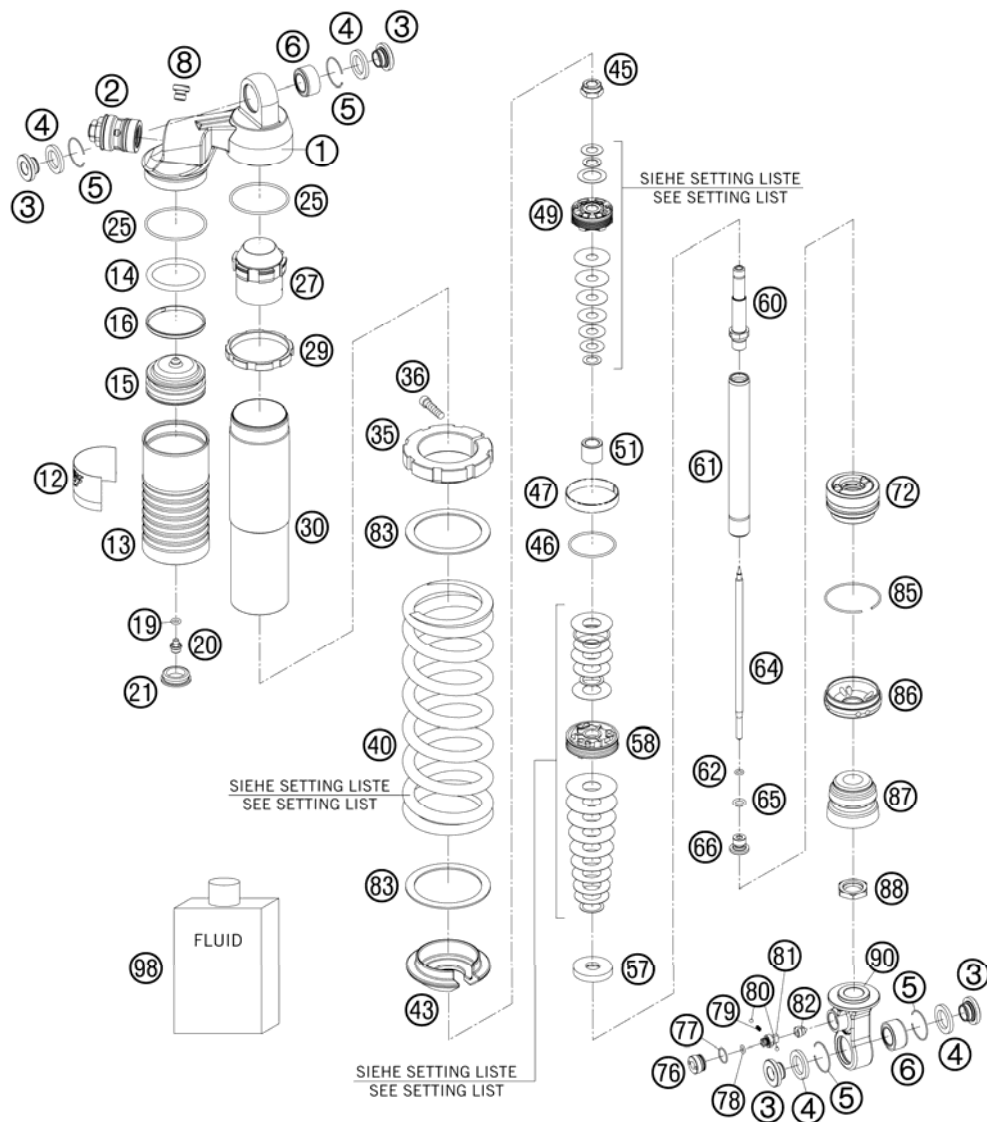
084700430 / C094700430

\* NEW PART

X AS REQUIRED

# MONOSHOCK DISASSEMBLED

85 SX 19/16 2011

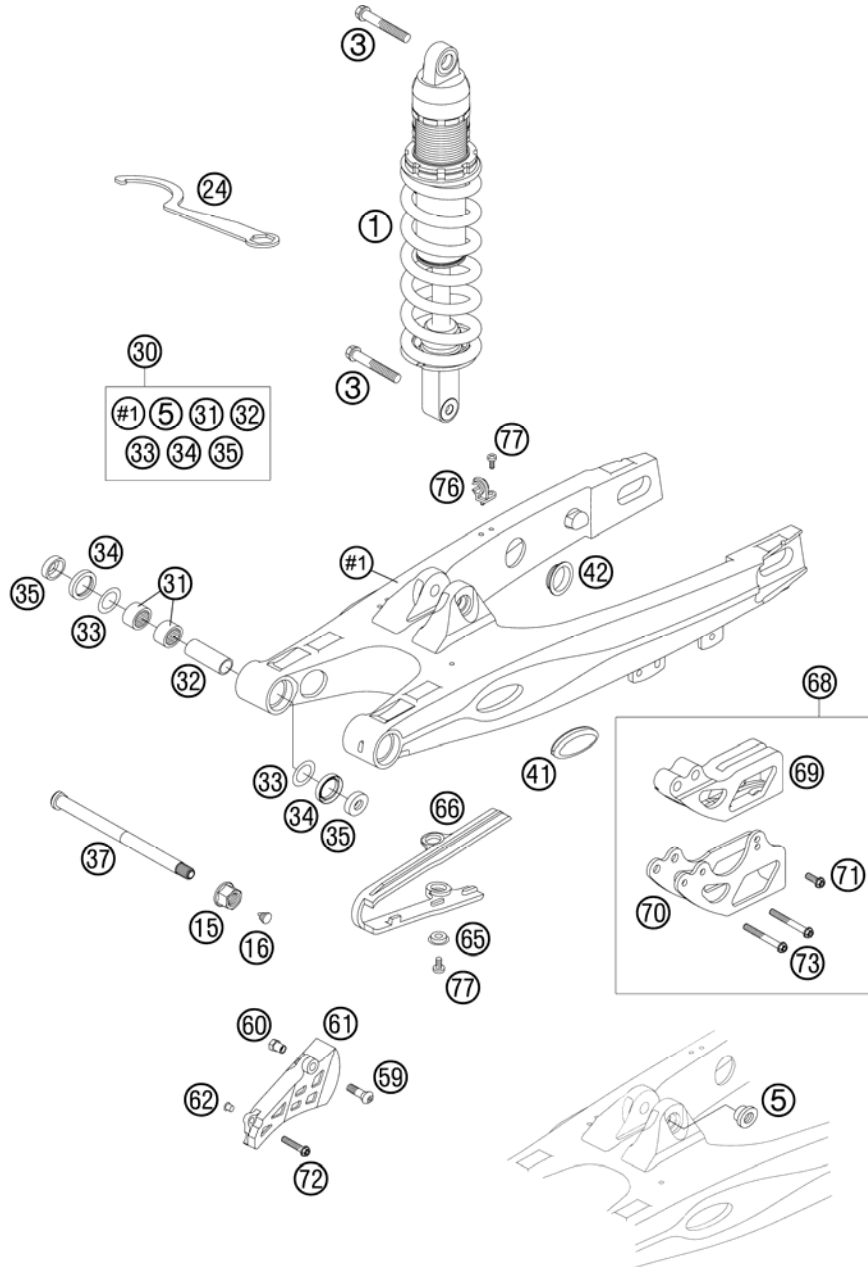


| FIG | PART NUMBER | DESCRIPTION                    | QTY |
|-----|-------------|--------------------------------|-----|
| 61  | 46180342S   | SPINDEL D=18 LC=159 CPL.       | 1   |
| 62  | 50180397    | O-RING VITON 5X1,5             | 1   |
| 64  | 46180346    | NEEDLE REBOUND L=169           | 1   |
| 65  | 46180018    | O-RING NBR 7,5X2               | 1   |
| 66  | 46180350    | NEEDLE GUIDE                   | 1   |
| 72  | 46180669S   | ADAPTOR CPL. D=46 H=28         | 07  |
| 76  | 46180355    | RESERVOIR CAP M16X1            | 1   |
| 77  | 46180013    | O-RING NBR 12X1                | 1   |
| 78  | 50180222    | O-RING NBR 4X1,5               | 1   |
| 79  | 48600028    | SPRING D=2,9 L=7,9             | 1   |
| 80  | 40540603    | STEEL BALL D=3MM               | 2   |
| 81  | 46180006    | ADJUSTING SCREW L=15,5         | 1   |
| 82  | 46180016    | ADJUSTING ADAPTOR REBOUND      | 1   |
| 83  | 50180410    | INTERM.RING D=58               | 2   |
| 85  | 46810010    | CIRCLIP 49X1,5                 | 1   |
| 86  | 46180338    | CAP D=46 H=9,5                 | 1   |
| 87  | 50180276    | BUMP RUBBER WP60 D=18-26       | 1   |
| 88  | 50180283    | CONTRA NUT M18X1 H=5           | 1   |
| 90  | 46180347    | SHOCK ABSORBER BOT. KGW L=54,5 | 1   |
| 98  | 50180342S1  | SHOCK ABSORBER FLUID 5 LT '03  | 1   |

084700430 / C094700430

\* NEW PART

X AS REQUIRED



| FIG | PART NUMBER | DESCRIPTION                    | QTY |
|-----|-------------|--------------------------------|-----|
| 1   | 15187E02    | MONOSHOCK 85 / 105 SX 2009     | 1   |
| 3   | 0015120556S | HH COLLAR M12X55 WS=13 06      | 2   |
| 5   | 50180105    | THREADED BUSH M12 PDS          | 1   |
| 15  | 54603015000 | SELF LOCKING NUT M14X1,5 WS=19 | 1   |
| 16  | 54403135000 | PLASTIC CAP SFL10              | 1   |
| 24  | 46012024000 | HOOK WRENCH FOR SHOCK ABSORBER | 1   |
| 30  | 47004030144 | SWINGARM 85SX CPL. 2004        | 1   |
| 31  | 59004031000 | NEEDLE BUSH HK2012V            | 4   |
| 32  | 50203081700 | BUSHING SLEEVE 15X20X38,75     | 2   |
| 33  | 59033080000 | SHIM 20X32X1                   | 2   |
| 34  | 0760253270  | SHAFT SEAL RING 25X32X7        | 4   |
| 35  | 54603090000 | BUCKET F.SHAFTSEALRING 15X25X9 | 4   |
| 37  | 47004037000 | SWINGARM BOLT 85 SX 2003       | 1   |
| 41  | 58404041000 | CLOSING COVER SWINGARM SM 03   | 2   |
| 42  | 58404041100 | CLOSING COVER ROUND 03         | 4   |
| 59  | 0019080206  | COUNTER-SUNK SCREW ISA45 M8X20 | 1   |
| 60  | 47030060051 | THREADED BUSH FOR CHAIN GUARD  | 1   |
| 61  | 47007061000 | CHAIN GUARD 85 SX 2003         | 1   |
| 62  | 58314060050 | SPACER BUSH. F. SPEEDOMET.BRA. | 1   |
| 65  | 72210079000 | BUCKET                         | 2   |
| 66  | 58404066000 | CHAIN SLIDING GUARD SM 03      | 1   |
| 68  | 54607069000 | CHAIN GUIDE REAR CPL.          | x   |
| 69  | 54607066100 | CHAIN GUIDE REAR '94           | 1   |
| 70  | 54607070144 | RETAINING PLATE CPL.           | 1   |
| 71  | 0025060166  | HH COLLAR SCREW M6X16 TX30     | 1   |
| 72  | 0025060306  | HH COLLAR SCREW M6X30 TX30     | 1   |
| 73  | 0025060506  | HH COLLAR SCREW M6X50 TX30     | 2   |
| 76  | 54611076100 | RETAIN.CLAMP FOR BRAKE HOSE'96 | 2   |
| 77  | 0009050103  | SPECIAL SCREW M 5,0X10         | 4   |

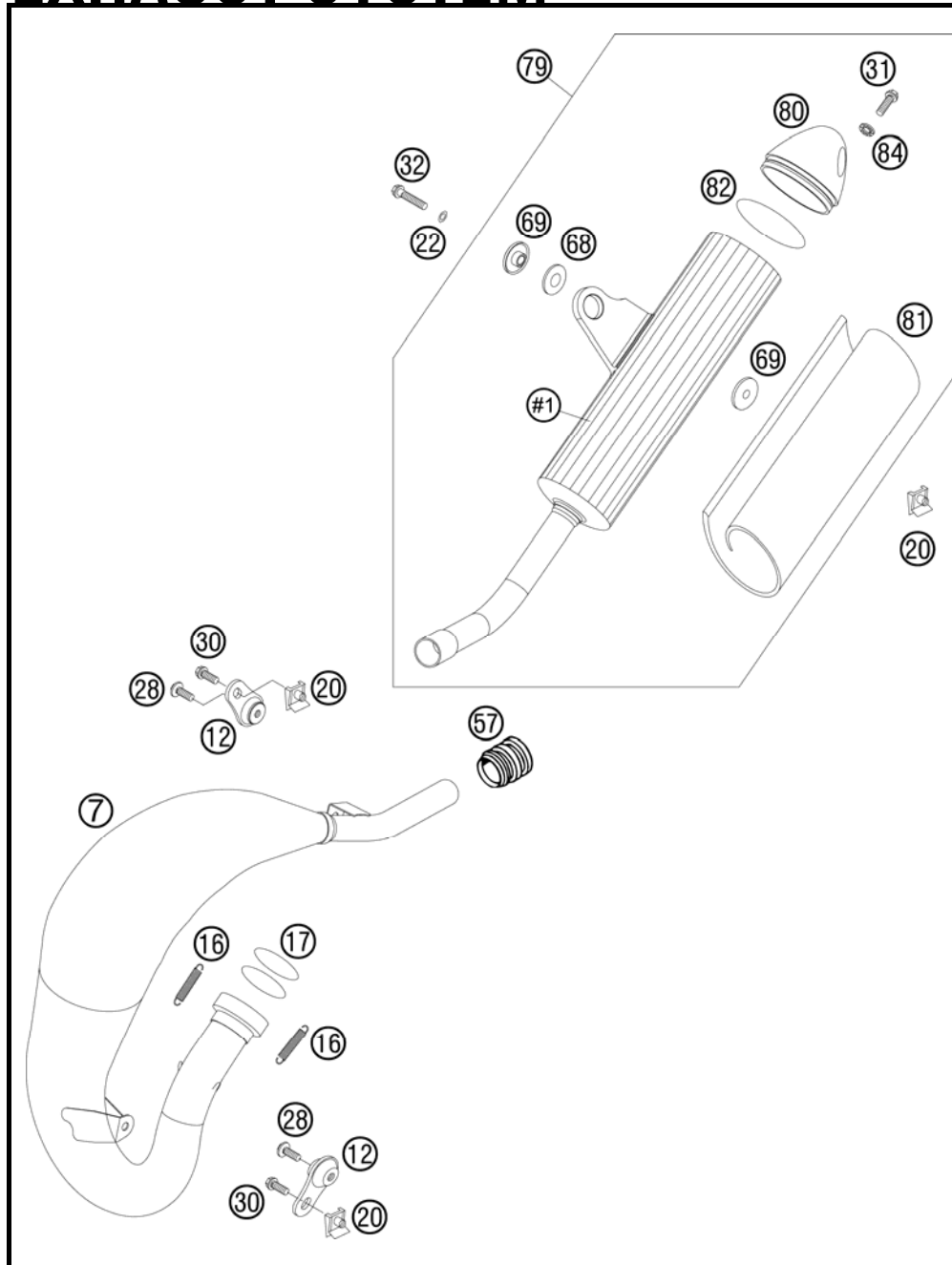
084700410 / C104700411

\* NEW PART

X AS REQUIRED

# EXHAUST SYSTEM

85 SX 19/16 2011

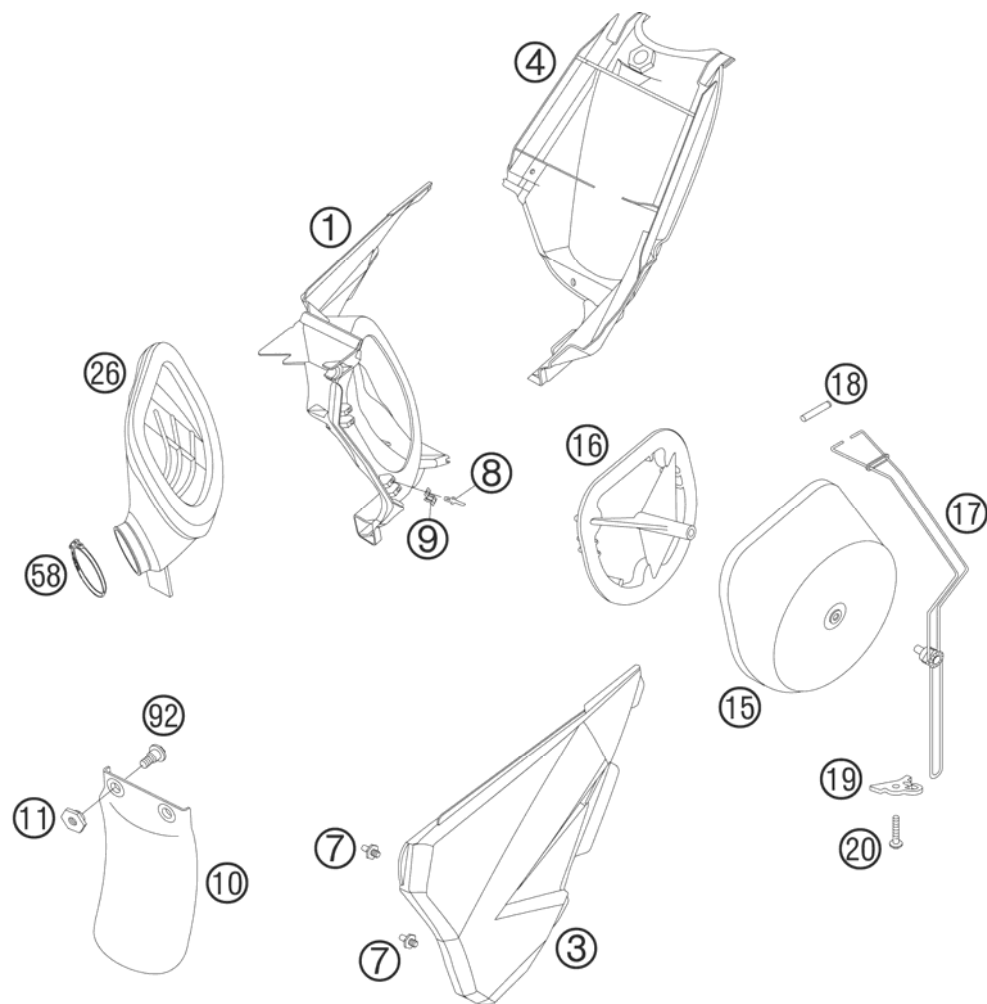


| FIG | PART NUMBER | DESCRIPTION                   | QTY |
|-----|-------------|-------------------------------|-----|
| 7   | 47005007100 | EXHAUST PIPE 85 SX 07         | 1   |
| 12  | 50305012000 | SWINGELEMENT FOR EXHAUST PIPE | 2   |
| 16  | 50305016000 | TEN.SPRING L=62MM EY.MOVEABLE | 2   |
| 17  | 0770380030  | O-RING 38,00X3,00 VITON       | 2   |
| 20  | 54603048100 | RANGE CHANGE METAL NUT M6     | 3   |
| 22  | 0137060003  | SPRING WASHER DIN0137-B 6     | 1   |
| 28  | 0024060106  | HH COLLAR SCREW M6X10 TX30    | 2   |
| 30  | 0025060166  | HH COLLAR SCREW M6X16 TX30    | 2   |
| 31  | 0025060206  | HH COLLAR SCREW M6X20 TX30    | 2   |
| 32  | 0025060306  | HH COLLAR SCREW M6X30 TX30    | 1   |
| 57  | 54605057000 | RUBBER SLEEVE D=21MM/23MM '93 | 1   |
| 68  | 54605068000 | EXHAUST BRACKET RUBBER BLACK  | 1   |
| 69  | 54605069000 | BUSHING 7,5X12X28X7,8 '96     | 2   |
| 79  | 47005079100 | SILENCER 85 SX 06             | 1   |
| 80  | 50305079169 | SILENCER ENDCAP SX REAR       | 1   |
| 81  | 50305079160 | STUFFING YARN 160 GRAM        | 1   |
| 82  | 0770055020  | O-RING 55,00X2,00 NBR70       | 2   |
| 84  | 50233041000 | PAIR OF WASHERS M 6 NORDLOCK  | 2   |

084700511 / C094700511

\* NEW PART

X AS REQUIRED



| FIG | PART NUMBER | DESCRIPTION                    | QTY |
|-----|-------------|--------------------------------|-----|
| 1   | 47006001051 | FILTER WALL 85 SX 2003         | 1   |
| 3   | 47006003000 | FILTER BOX COVER 85 SX 2003    | 1   |
| 4   | 47006001052 | REAR PART FILTER BOX 85 SX 03  | 1   |
| 7   | 54806008051 | QUICK RELEASE-NIPPLE 03        | 2   |
| 8   | 54806108052 | BLIND RIVET 3,3X9,7 GROOVED 04 | 4   |
| 9   | 54806008050 | QUICK RELEASE-SPRING HANGER    | 2   |
| 10  | 46006010000 | SPLASH PROTECTOR 60/65 SX '98  | 1   |
| 11  | 47006010050 | SCREW CONNECTION SPLASH SHIELD | 2   |
| 15  | 59006015000 | AIR FILTER RACING 2001         | 1   |
| 16  | 54806016000 | FILTER CARRIER 2-STROKE 04     | 1   |
| 17  | 50306017000 | FILTER SUPPORT CPL.2-STROKE'98 | 1   |
| 18  | 50306018000 | FILTER SUPPORT BUSH 125-380'98 | 1   |
| 19  | 47006019000 | FASTEN. DEVICE FILTER SUPPORT  | 1   |
| 20  | 0017060203  | EJOT PT SCREW K60X20 WS=6      | 1   |
| 26  | 47006026000 | CARB. CONNECTING BOOT 85 SX 03 | 1   |
| 58  | 78006027000 | HOSE CLAMP 45-65MM             | 1   |
| 92  | 59001092050 | SPECIAL SCREW M6X12,5 WS=8     | 2   |

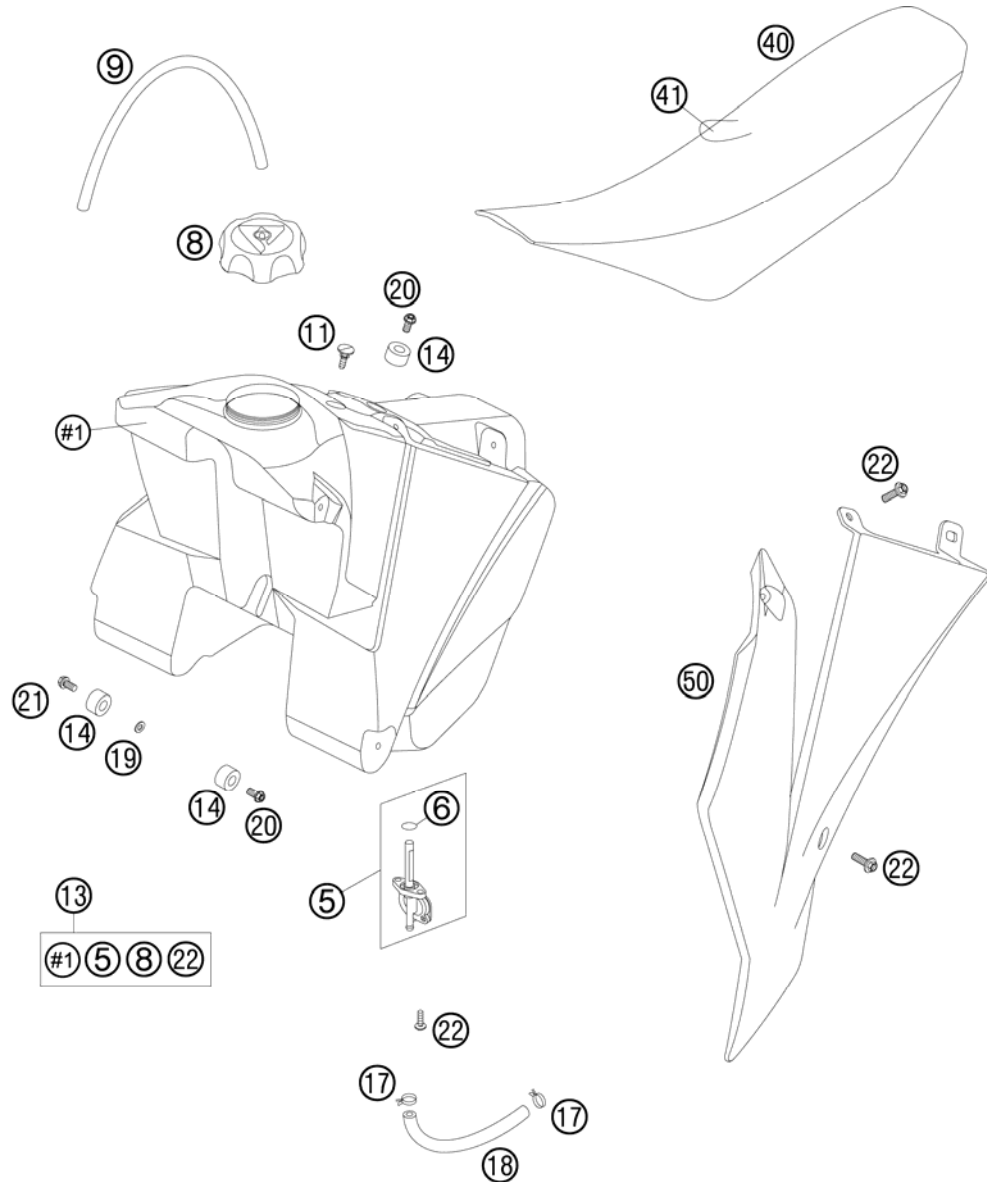
084700612 / C104700612

\* NEW PART

X AS REQUIRED

# TANK, SEAT, COVERS

85 SX 19/16 2011

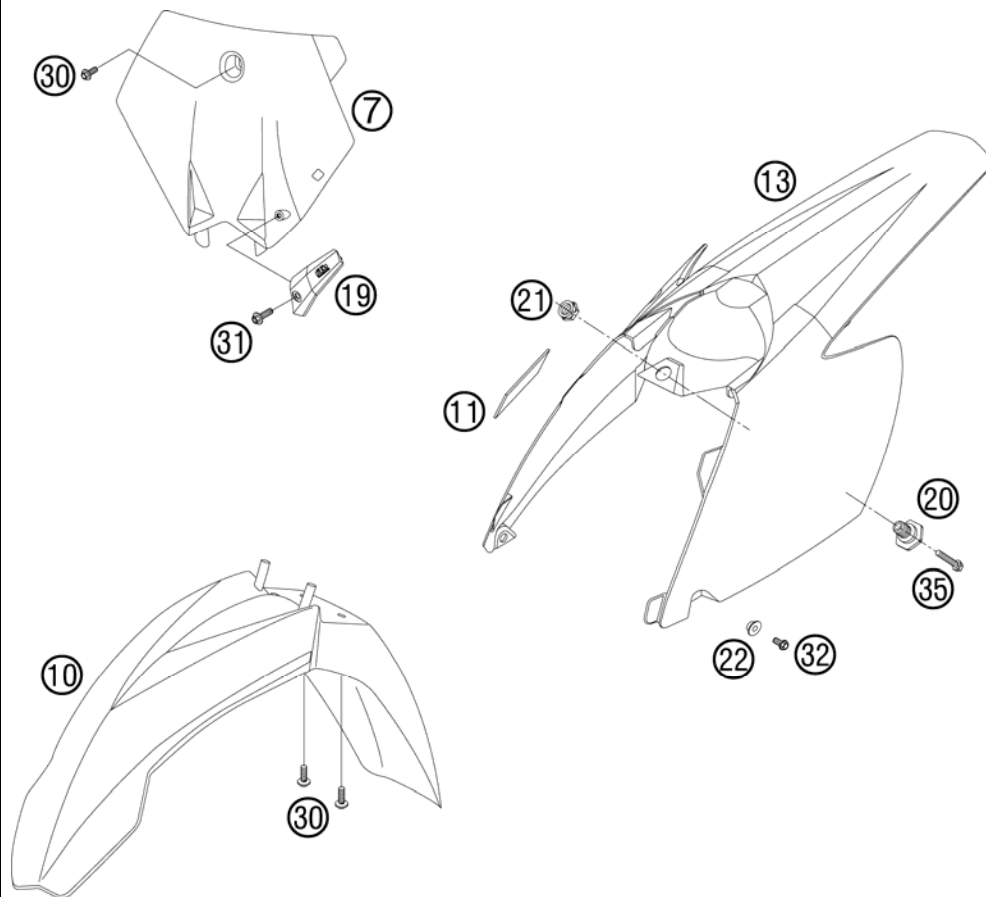


| FIG | PART NUMBER   | DESCRIPTION                    | QTY |
|-----|---------------|--------------------------------|-----|
| 5   | 50307005000   | GAS COCK MIKUNI ON/OFF 2001    | 1   |
| 6   | 0770130023    | O-RING 13,00X2,30              | 1   |
| 8   | 49007008044   | FILLER CAP CPL. SMALL          | 1   |
| 9   | 50332095200   | TUBE RUBBER 6X9 DVOH 200MM     | 1   |
| 11  | 50307011000   | SCREW SEAT FASTENING D=6X23/18 | 1   |
| 13  | 4700701300030 | FUEL TANK 85 SX 07             | 1   |
| 14  | 50307014000   | TANK ROLLER 12X26X12 '98       | 3   |
| 17  | 45031005000   | YDNAC-CLAMP FUEL HOSE (8MM)    | 2   |
| 18  | 58307016001   | FUEL HOSE VITON 6X1,5 PER/M    | x   |
| 19  | 12011016000   | WASHER 6 X 12 X 3              | 1   |
| 20  | 0025060126    | HH COLLAR SCREW M6X12 TX30     | 2   |
| 21  | 0025060166    | HH COLLAR SCREW M6X16 TX30     | 1   |
| 22  | 0017060203    | EJOT PT SCREW K60X20 WS=6      | 10  |
| 40  | 47007040100   | SEAT 85 SX 2005                | 1   |
| 41  | 47007040150   | SEAT COVER 85 SX 2005          | 1   |
| 50  | 47008054300X4 | SPOILER LS/RS 85/105 ORANGE    | 1   |

084700710 / C114700710

\* NEW PART

X AS REQUIRED



| FIG | PART NUMBER   | DESCRIPTION                   | QTY |
|-----|---------------|-------------------------------|-----|
| 7*  | 4700800700028 | START NUMBER PLATE            | 1   |
| 10  | 47008010000X4 | FENDER FRONT 85 SX            | 1   |
| 11  | 59003001099   | METAMOLL 90X45X3MM            | 1   |
| 13* | 4700801300028 | REAR PART                     | 1   |
| 19  | 54808019100   | BRAKE HOSE GUIDE              | 1   |
| 20  | 54807048000   | BUSHING FOR SEAT FASTENING 03 | 1   |
| 21  | 50314057050   | COLLAR NUT M12X1/WS17 H=5MM   | 1   |
| 22  | 50308052000   | BUSH FOR SPOILER 6X11X16X5 MM | 2   |
| 30  | 0024060156    | HH COLLAR SCREW M6X15 TX30    | 5   |
| 31  | 0017060203    | EJOT PT SCREW K60X20 WS=6     | 1   |
| 32  | 0025060166    | HH COLLAR SCREW M6X16 TX30    | 2   |
| 35  | 0025060256    | HH COLLAR SCREW M6X25 TX30    | 1   |

084700810 / C114700810

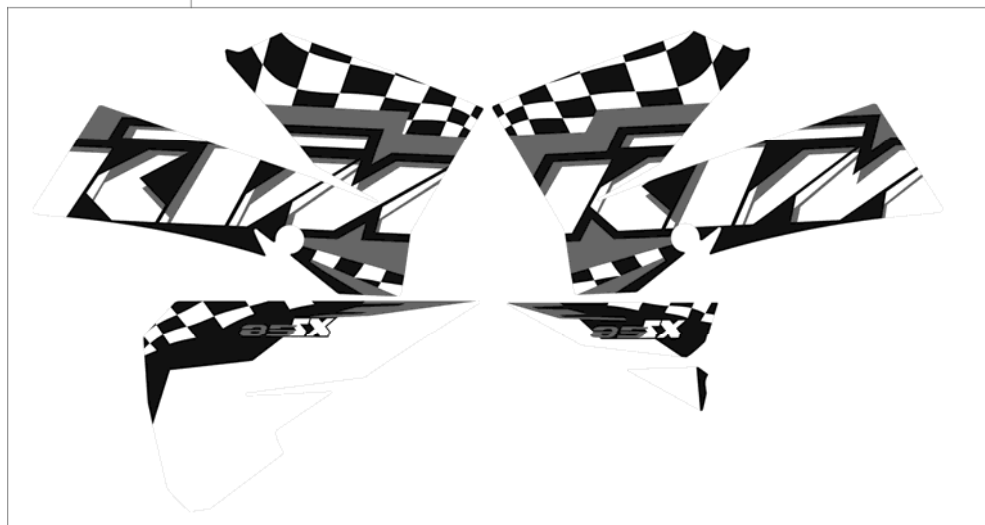
\* NEW PART

X AS REQUIRED



| FIG | PART NUMBER | DESCRIPTION     | 2011 | QTY |
|-----|-------------|-----------------|------|-----|
| 1*  | 47008199000 | DECAL SET 85 SX |      | 1   |

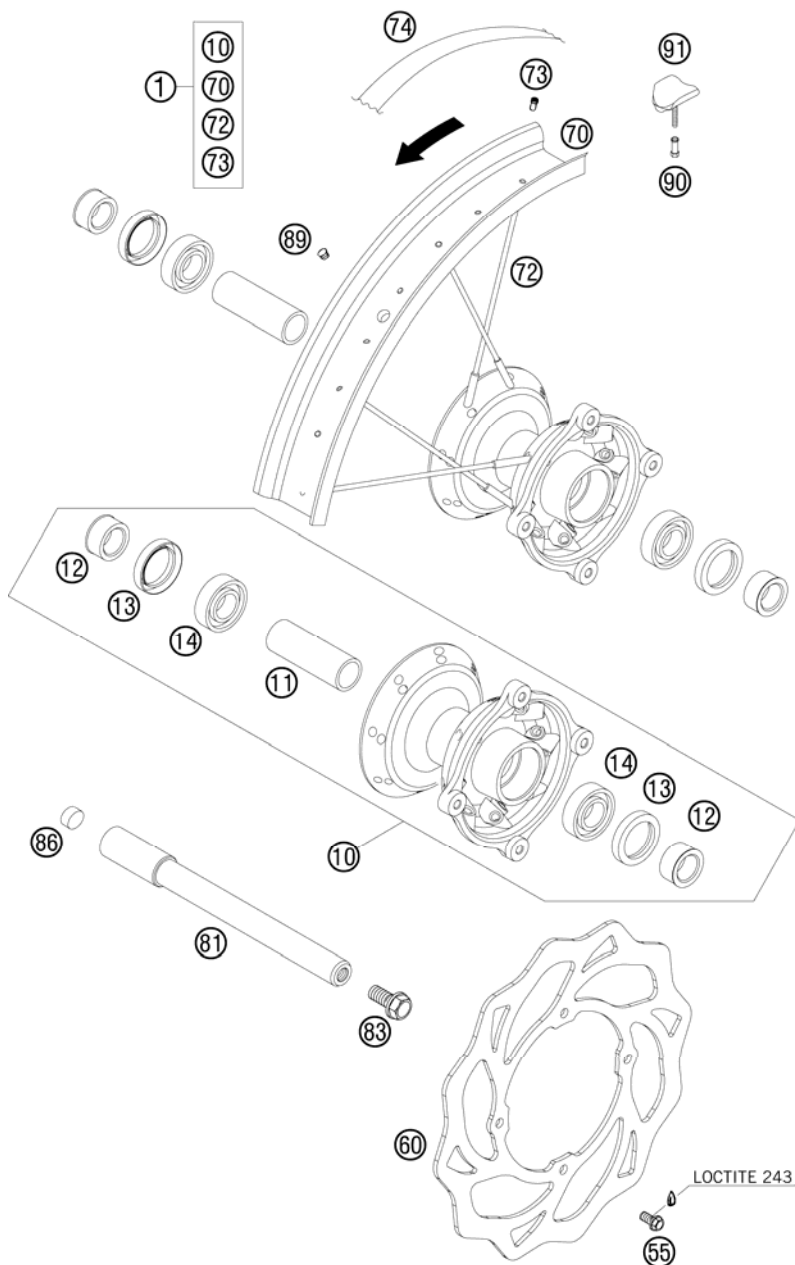
①



114700830 / C114700830

\* NEW PART

X AS REQUIRED



| FIG | PART NUMBER   | DESCRIPTION                    | QTY |
|-----|---------------|--------------------------------|-----|
| 1   | 47009001344   | FRONT WHEEL ET 85 SX 19" 06    | 1   |
| 10  | 4700901004491 | FRONT WHEEL HUB CPL. 85 SX 06  | 1   |
| 11  | 47009011000   | BEARING SPACER TUBE 85 SX 03   | 1   |
| 12  | 47009012000   | SPACER BUSHING 85 SX 03        | 2   |
| 13  | 0760253572    | SEAL SHAFT RING 25X35X7 BSL    | 2   |
| 14  | 0625060037    | GR.BALL BEAR. 6003-2RSH/C3HMTF | 2   |
| 55  | 59009062013   | SPECIAL SCREW M6X13 WS=8 10.9  | 4   |
| 60  | 47009060300   | BRAKE DISC FRONT D=219MM 09    | 1   |
| 70  | 47009070100   | RIM FRONT AL4 19X1,60-32 03    | 1   |
| 72  | 47009074210   | SPOKE FRONT 19" 4/3,5/4-210 07 | 32  |
| 73  | 50309072100   | SPOKE NIPPLE M4,5X0,75 8X21    | 32  |
| 74  | 47009073100   | RIM BAND 85 SX 19" 2003        | 1   |
| 81  | 47009081000   | AXLE FRONT 85 SX 03            | 1   |
| 83  | 49032011000   | HH COLLAR SCREW M10X20 WS=17   | 1   |
| 86  | 55009086000   | PLUG SFL13                     | 1   |
| 89  | 55003135000   | PLUG FOR RIM                   | x   |
| 90  | 50310090050   | NUT FOR WHEEL HOLDER '96       | 1   |
| 91  | 51009100100   | RIM LOCK VM1 (1,60")           | 1   |

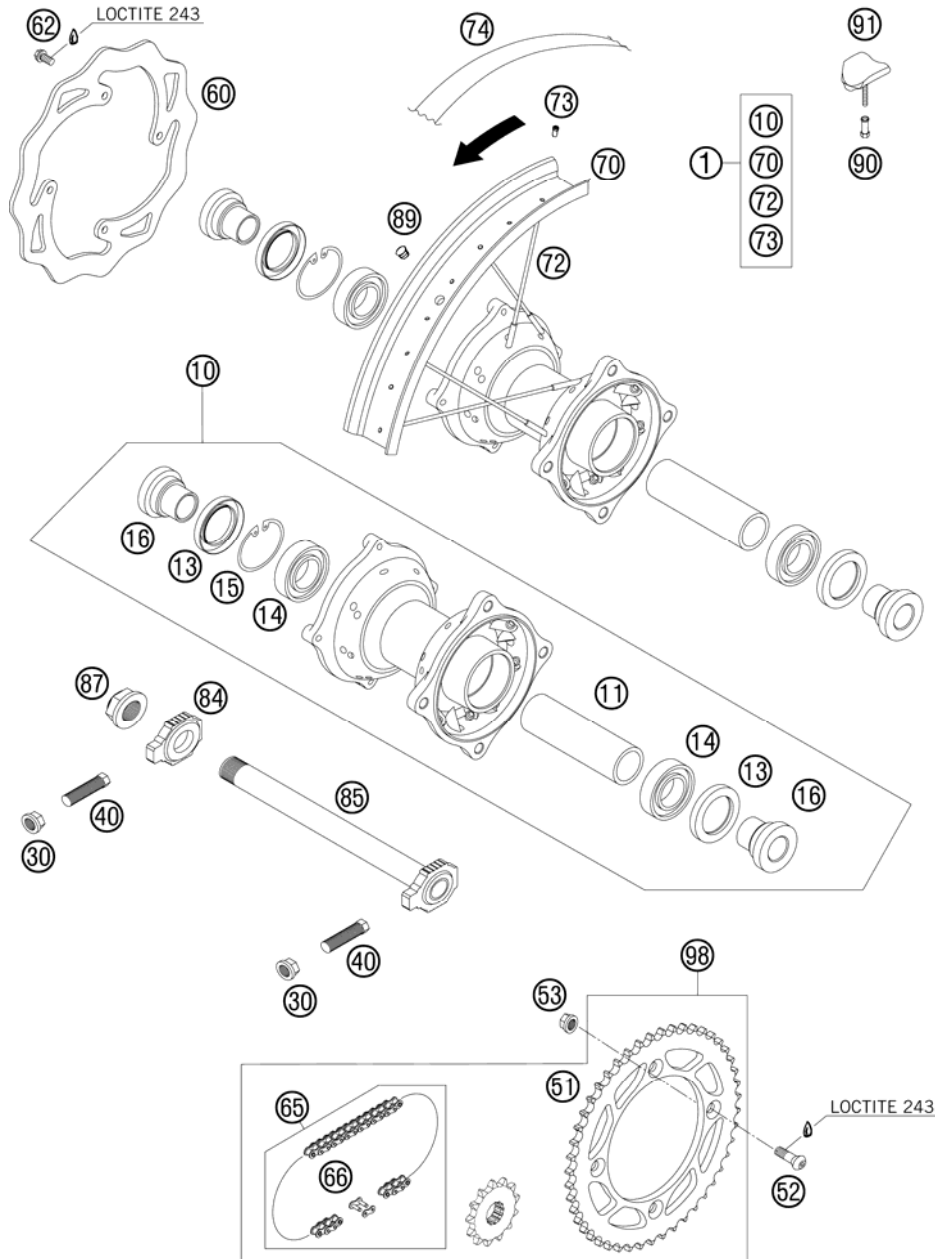
084700910 / C104700910

\* NEW PART

X AS REQUIRED

# REAR WHEEL

85 SX 19/16 2011



| FIG | PART NUMBER   | DESCRIPTION                    | QTY |
|-----|---------------|--------------------------------|-----|
| 1   | 47010001544   | REAR WHEEL SP 85 SX 16" 06     | 1   |
| 10  | 4701001004491 | REAR WHEEL HUB CPL. 85 SX 06   | 1   |
| 11  | 47010011000   | BEARING SPACER TUBE 85 SX 03   | 1   |
| 13  | 0760324771    | SHAFT SEAL RING 32X47X7 BSL    | 2   |
| 14  | 0625060058    | GR.BALL BEAR.6005 DDU2CG23S6NM | 2   |
| 15  | 0472047175    | CIRCLIP DIN0472-47X1,75        | 1   |
| 16  | 54610016000   | BUSHING FOR HUB                | 2   |
| 30  | 58414030000   | HH COLLAR NUT M10X1,25 WS=13   | 2   |
| 40  | 50304040100   | SCREW M10X1,25X50 WS=10        | 2   |
| 51  | 47010051044   | REAR SPROCKET 44-T 85 SX 03    | x   |
| 51  | 47010051045   | REAR SPROCKET 45-T 85 SX 03    | x   |
| 51  | 47010051046   | REAR SPROCKET 46-T 85 SX 03    | x   |
| 51  | 47010051047   | REAR SPROCKET 47-T 85 SX 03    | x   |
| 51  | 47010051048   | REAR SPROCKET 48-T 85 SX 03    | x   |
| 51  | 47010051049   | REAR SPROCKET 49-T 85 SX 03    | 1   |
| 51  | 47010051050   | REAR SPROCKET 50-T 85 SX 03    | x   |
| 51  | 47010051051   | REAR SPROCKET 51-T 85 SX 06    | x   |
| 52  | 0019080266S   | COUNTER-SUNK SCREW ISA45 M8X26 | 4   |
| 53  | 54310086200   | SELF LOCKING NUT M8 10.9       | 4   |
| 60* | 47010060500   | REAR BRAKE DISC                | 1   |
| 62  | 59009062016   | SPECIAL SCREW M6X16 WS=8 10.9  | 4   |
| 65  | 47010165124   | CHAIN 124 ROLLS 85 SX          | 1   |
| 66  | 47010166000   | CONNECTING LINK 85 SX          | 1   |
| 70  | 47010070200   | RIM REAR AL4 16X1,85-32 03     | 1   |
| 72  | 47010074171   | SPOKE REAR 16"4/3,5/4-171 07   | 32  |
| 73  | 50309072100   | SPOKE NIPPLE M4,5X0,75 8X21    | 32  |
| 74  | 47010073200   | RIM BAND 85 SX 16" 2003        | 1   |
| 84  | 50310084000   | CHAIN TENSIONER R/S 2000       | 1   |
| 85  | 47010085044   | AXLE REAR CPL. 85 SX 2003      | 1   |
| 87  | 50310099000   | HEXAGON NUT M20X1,5 '98        | 1   |
| 89  | 55003135000   | PLUG FOR RIM                   | x   |
| 90  | 50310090050   | NUT FOR WHEEL HOLDER '96       | 1   |
| 91  | 51010100100   | RIM LOCK VM2 (1,85") MX        | 1   |
| 98* | 00050002003   | DRIVETRAIN KIT 105 SX 14T/49T  | 1   |

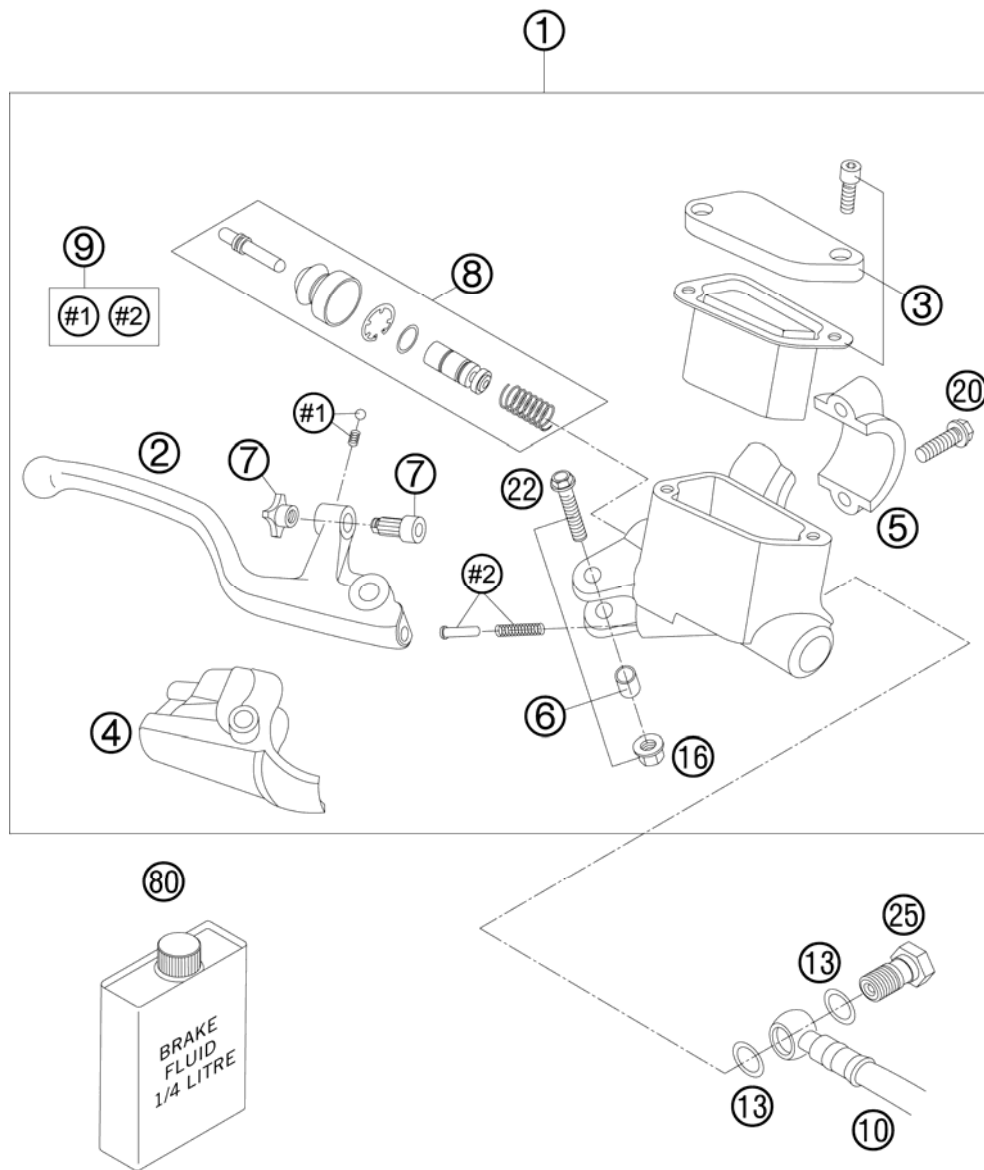
114701010 / C114701010

\* NEW PART

X AS REQUIRED

# HAND BRAKE CYLINDER

85 SX 19/16 2011



| FIG | PART NUMBER | DESCRIPTION                    | QTY |
|-----|-------------|--------------------------------|-----|
| 1   | 47013001100 | H.BRAKE CYL. CPL. 9,5MM CPL.05 | 1   |
| 2   | 47013002000 | BRAKE LEVER LOOSE 85 SX 2003   | 1   |
| 3   | 47013003000 | CYLINDER COVER CPL. FRONT 2003 | 1   |
| 4   | 47013004000 | PROTECTION COVER 85 SX 2003    | 1   |
| 5   | 47013005000 | CLAMP FOR BRAKE CYLINDER 2003  | 1   |
| 6   | 47013006000 | SCREW+BUSHING+NUT 03           | 1   |
| 7   | 47013007000 | ADJUSTING SCREW CPL. 85 SX 03  | 1   |
| 8   | 47013008100 | REP.SET PISTON FRONT D=9,5MM   | 1   |
| 9   | 47013009000 | BALL+SPRING+SPRING GUIDE 03    | 1   |
| 10  | 47013010000 | BRAKE HOSE FRONT 85 SX 03      | 1   |
| 13  | 0770080019  | O-RING 8,00X1,00 FORMULA       | 2   |
| 16  | 56509064100 | SELF LOCKING NUT M6 10.9       | 1   |
| 20  | 0025060206  | HH COLLAR SCREW M6X20 TX30     | 2   |
| 22  | 0025060306  | HH COLLAR SCREW M6X30 TX30     | 1   |
| 25  | 47013025000 | HOLLOW SCREW BRAKE CYLINDER 03 | 1   |
| 80  | 00062030000 | BRAKE FLUID DOT5.1 0,25L       | 1   |

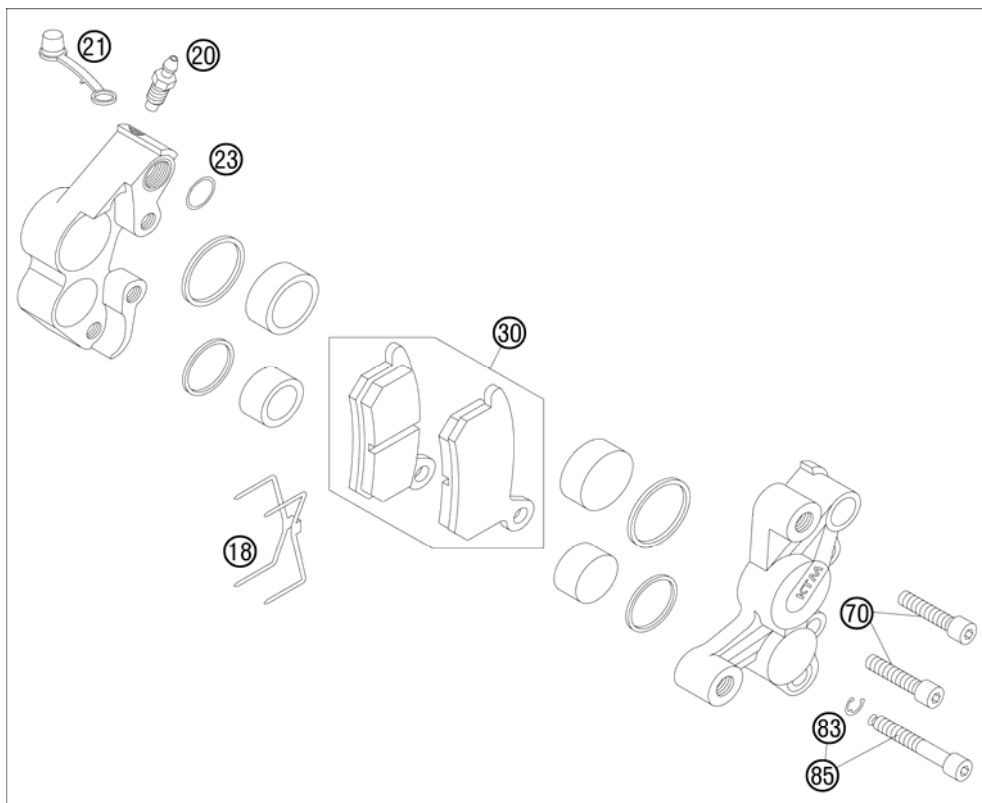
094701310 / C094701310

\* NEW PART

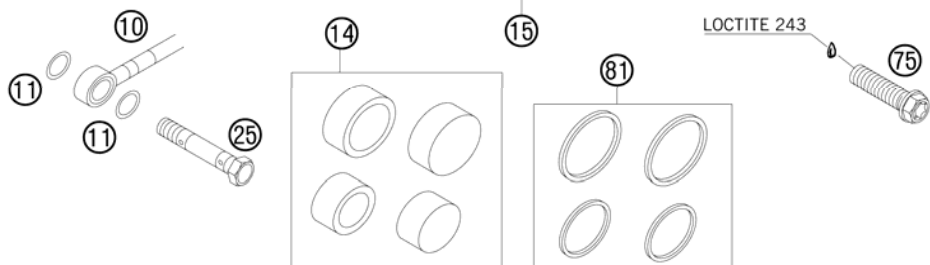
X AS REQUIRED

# BRAKE CALIPER FRONT

85 SX 19/16 2011



| FIG | PART NUMBER | DESCRIPTION                    | QTY |
|-----|-------------|--------------------------------|-----|
| 10  | 47013010000 | BRAKE HOSE FRONT 85 SX 03      | 1   |
| 11  | 0770080019  | O-RING 8,00X1,00 FORMULA       | 2   |
| 14  | 46113019050 | REPAIR KIT BRAKEPISTON         | 1   |
| 15  | 47013015000 | BRAKE CALIPER FR. CPL.85 SX 03 | 1   |
| 18  | 46113018000 | RETAINING SPRING 65 SX         | 1   |
| 20  | 47013020000 | BLEEDER SCREW M6               | 1   |
| 21  | 47013021000 | CAP FOR BLEEDER SCREW          | 1   |
| 23  | 0770100019  | O-RING 10X1 EPDM               | 1   |
| 25  | 47013125000 | HOLLOW SCREW M8X38,8           | 1   |
| 30  | 46113030000 | BRAKE PAD SET FRONT 2002       | 1   |
| 70  | 0912060283  | AH SCREW DIN0912-M 6X28        | 2   |
| 75  | 0025080306  | HH COLLAR SCREW M8X30 TX40     | 2   |
| 81  | 46113019000 | REPAIR KIT SEAL RING 2002      | 1   |
| 83  | 0799040009  | TAB WASHER DIN6799-RA 4,0      | 1   |
| 85  | 46113125000 | AH SCREW + CIRCLIP 2002        | 1   |



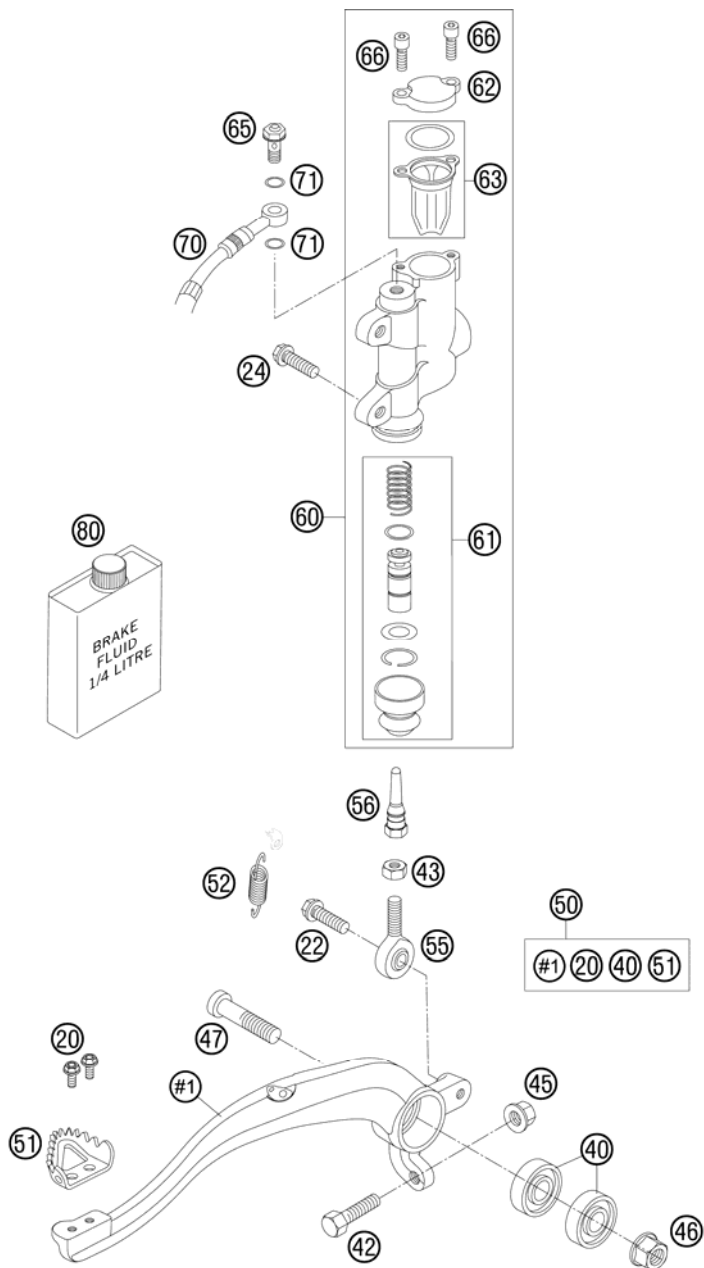
084701360 / C094701360

\* NEW PART

X AS REQUIRED

# REAR BREAK CONTROL

85 SX 19/16 2011



| FIG | PART NUMBER | DESCRIPTION                    | QTY |
|-----|-------------|--------------------------------|-----|
| 20  | 0025050126  | HH COLLAR SCREW M5X12 TX30     | 2   |
| 22  | 0025060206  | HH COLLAR SCREW M6X20 TX30     | 1   |
| 24  | 0025060126  | HH COLLAR SCREW M6X12 TX30     | 2   |
| 40  | 0625060002  | BALL BEARING SKF 6000-2RS1     | 2   |
| 42  | 59001037000 | SPECIAL SCREW M8X26 WS=10      | 1   |
| 43  | 0934060003  | HEXAGON NUT DIN0934-M 6        | 1   |
| 45  | 46030045000 | COLLAR NUT M8 WS=10            | 1   |
| 46  | 54630044000 | COLLAR NUT M10 WS=13           | 1   |
| 47* | 0032100406S | AH-COLLAR SCREW M10X40 ISA45   | 1   |
| 50  | 47013050044 | FOOT BRAKE LEVER CPL. 85 SX 03 | 1   |
| 51  | 54813051000 | STEP PLATE FOR BRAKE LEVER     | 1   |
| 52  | 54603062000 | RETURN SPRING FOR BRAKE LEVER  | 1   |
| 55  | 54813055000 | SWIVEL HEAD KA6 03             | 1   |
| 56  | 47013056100 | PRESSURE ROD 85 SX 06          | 1   |
| 60  | 47013060200 | FOOT BRAKE CYL.R. CPL. D=11 05 | x   |
| 60  | 47013060300 | FOOT BRAKE CYL.R. CPL. D=12 05 | 1   |
| 61  | 47013061000 | REP. SET PISTON REAR D=11 2003 | x   |
| 61  | 47013061100 | REP. SET PISTON REAR D=12 2004 | 1   |
| 62  | 47013062000 | CYLINDER COVER REAR 85 SX 03   | 1   |
| 63  | 47013063000 | GASKET CYLINDER COVER REAR 03  | 1   |
| 65  | 47013025000 | HOLLOW SCREW BRAKE CYLINDER 03 | 1   |
| 66  | 0912040103  | AH.SCREW DIN0912-M 4X10        | 2   |
| 70  | 47013070000 | BRAKE HOSE REAR 85 SX 03       | 1   |
| 71  | 0770080019  | O-RING 8,00X1,00 FORMULA       | 2   |
| 80  | 00062030000 | BRAKE FLUID DOT5.1 0,25L       | 1   |

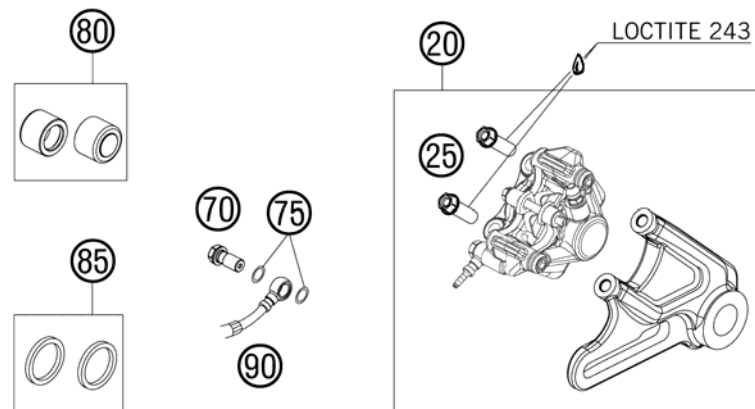
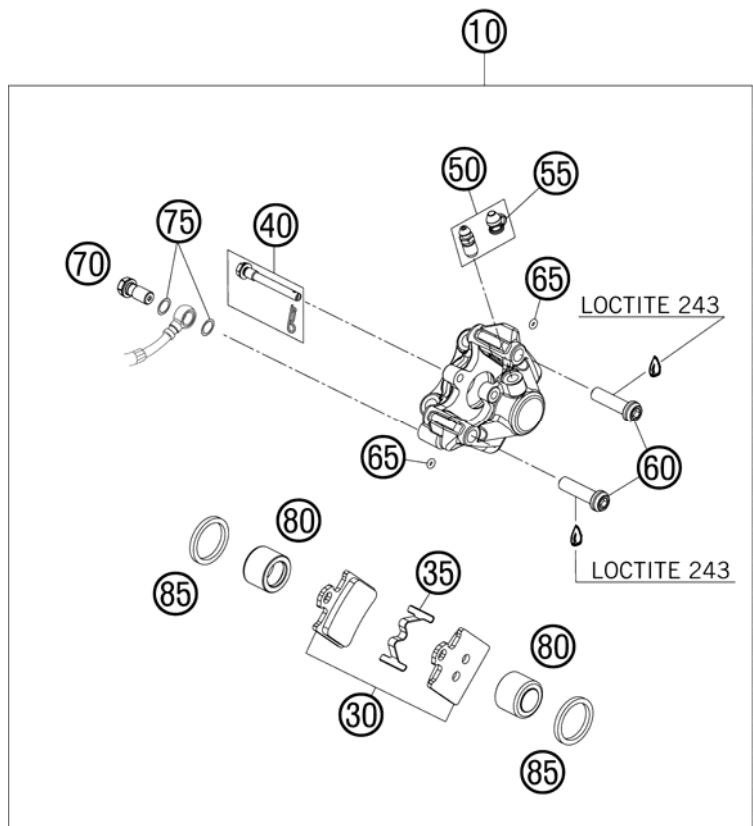
084701330 / C114701330

\* NEW PART

X AS REQUIRED

# BREAK CALIPER REAR

85 SX 19/16 2011



| FIG | PART NUMBER | DESCRIPTION                    | QTY |
|-----|-------------|--------------------------------|-----|
| 10* | 47013080300 | BREAK CALIPER REAR CPL. 2011   | 1   |
| 20* | 47013075000 | BREAK-CALIPER SUPPORT CPL.     | 1   |
| 25  | 0025080256  | HH COLLAR SCREW M8X25 TX40     | 2   |
| 30* | 47013090300 | BRAKE PADS REAR 85 SX 2011     | 1   |
| 35* | 47013018000 | RETAINING SPRING 85 SX 2011    | 1   |
| 40* | 47013092000 | SPECIAL SCREW WITH SPLINT PIN  | 1   |
| 50  | 47013085000 | BLEEDER SCREW M8X1             | 1   |
| 55  | 47013021000 | CAP FOR BLEEDER SCREW          | 1   |
| 60* | 47013084000 | SPECIAL SCREW CALIPER M8X30    | 2   |
| 65* | 07700257178 | O-RING 2,57X1,78               | 2   |
| 70  | 47013025000 | HOLLOW SCREW BRAKE CYLINDER 03 | 1   |
| 75  | 0770080019  | O-RING 8,00X1,00 FORMULA       | 2   |
| 80* | 47013083200 | REPAIR KIT BRAKEPISTON 2011    | 1   |
| 85* | 47013081100 | REP. KIT SEAL. RINGS REAR 2011 | 2   |
| 90  | 47013070000 | BRAKE HOSE REAR 85 SX 03       | 1   |

114701390 / C114701390

\* NEW PART

X AS REQUIRED

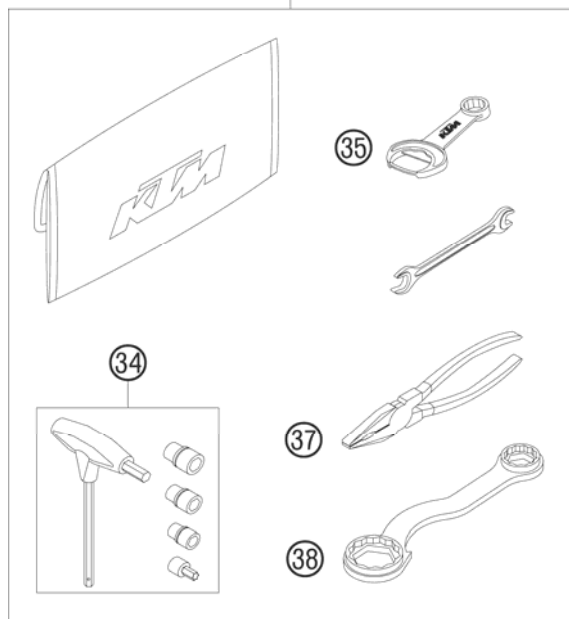
①

OHNE ABBILDUNG  
WITHOUT ILLUSTRATION

①

TECHNISCHE DOKUMENTATION  
TECHNICAL DOCUMENTATION  
DOCUMENTACION TECNICA  
DOCUMENTATION TECHNIQUE  
NOTE TECNICHE

②⑨



| FIG | PART NUMBER   | DESCRIPTION                    | QTY |
|-----|---------------|--------------------------------|-----|
| 0   | 312305        | DOCUMENTS BAG 2006             | 1   |
| 0   | 312313        | KTM BALLPOINT PEN ORANGE       | 1   |
| 0   | 3210039       | CUSTOMER WELCOME LETTER        | 1   |
| 0   | 46012024000   | HOOK WRENCH FOR SHOCK ABSORBER | 1   |
| 0   | 4700801000004 | % FRONT FENDER 85 SX 2003      | 1   |
| 1   | 3211595EN     | OWN.MAN. 85-105 SX 2011        | 1   |
| 1   | 322000        | SAFETY BROCHURES SPORTMINICYC. | 1   |
| 1   | 3CF6001K9EN   | SPC CHASSIS 85 SX 2011         | 1   |
| 1   | 3CM080404KEN  | SPC ENGINE 85 SX 2011          | 1   |
| 29  | 54829099000   | ORIGINAL EQUIPMENT TOOL KIT    | 1   |
| 34  | 60029070200   | T-WRENCH WS=6/8/10 TX=45 B&F   | 1   |
| 35  | 50329071100   | WRENCH WS=13 B&F + OPENER      | 1   |
| 37  | 53012028200   | GRIP ORANGE B&F                | 1   |
| 38  | 50329080100   | WRENCH SW=17/21/27/32 B&F      | 1   |
| 40  | 47003020000   | PLUG IN STAND SX 85 2003       | 1   |

084702013 / C114702010

\* NEW PART

X AS REQUIRED











KTM-Sportmotorcycle AG  
A-5230 Mattighofen  
[www.ktm.at](http://www.ktm.at)

KTM Group Partner



3CF6001K9EN



Art.Nr.: 3CF6001K9EN 3/2010