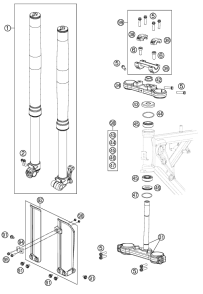
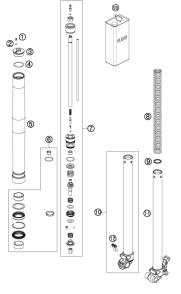
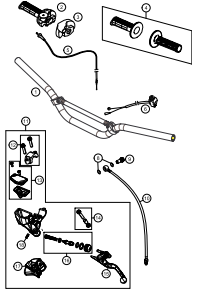
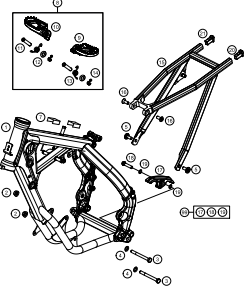
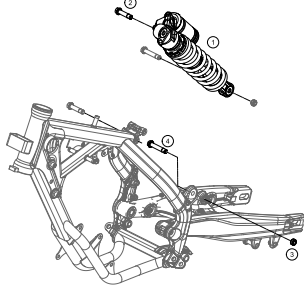
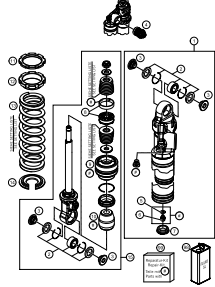
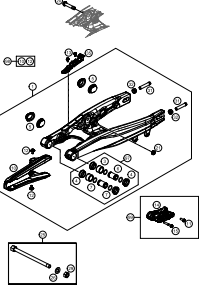
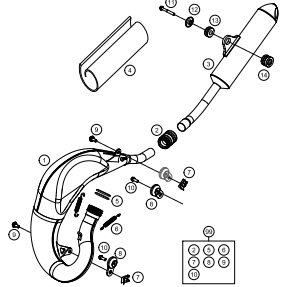
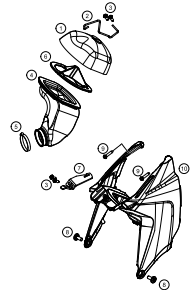
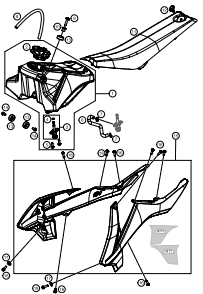
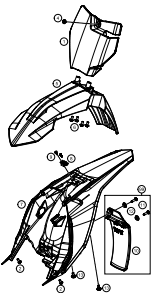
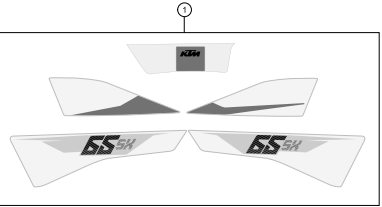
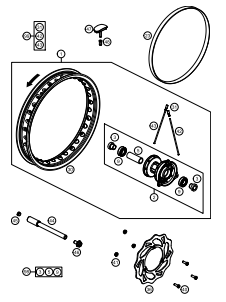
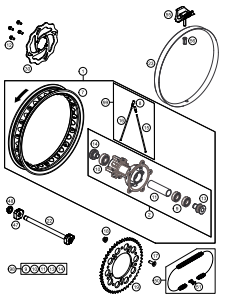
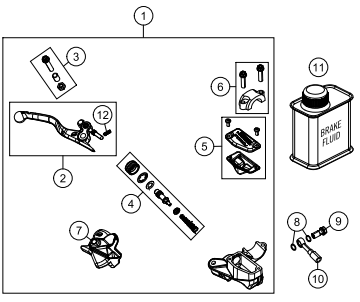
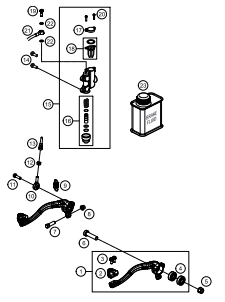
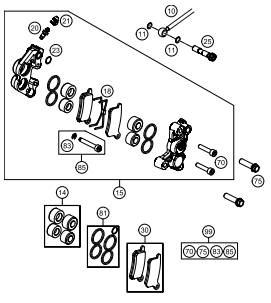
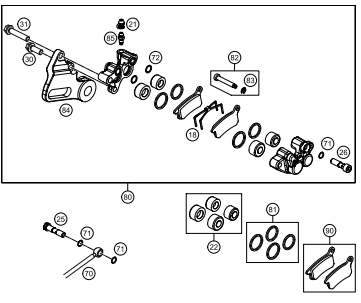
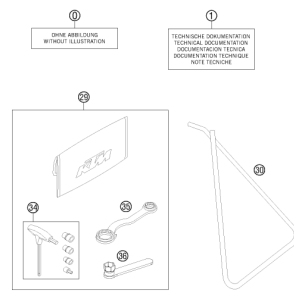



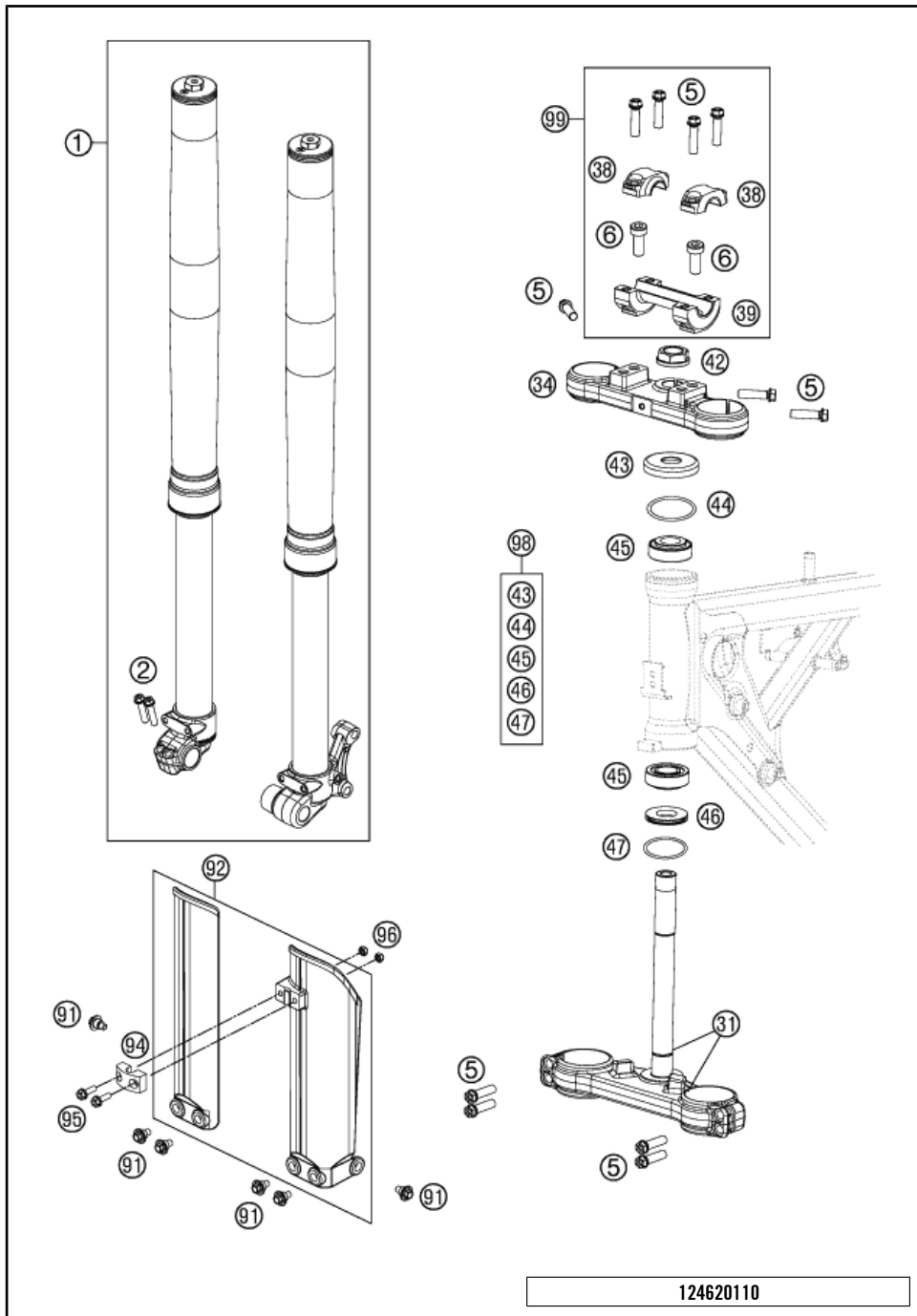
65 SX 2016

ART.-NR.: 3CFF6001P6EN



| | | | |
|---|--|---|--|
| <p>FRONT FORK, TRIPLE CLAMP</p>  <p style="text-align: right;">3</p> | <p>FRONT FORK DISASSEMBLED</p>  <p style="text-align: right;">4</p> | <p>HANDLEBAR, INSTRUMENTS</p>  <p style="text-align: right;">5</p> | <p>FRAME</p>  <p style="text-align: right;">6</p> |
| <p>MONOSHOCK</p>  <p style="text-align: right;">7</p> | <p>MONOSHOCK DISASSEMBLED</p>  <p style="text-align: right;">8</p> | <p>SWING ARM</p>  <p style="text-align: right;">9</p> | <p>EXHAUST SYSTEM</p>  <p style="text-align: right;">10</p> |
| <p>AIR FILTER</p>  <p style="text-align: right;">11</p> | <p>TANK, SEAT, COVER</p>  <p style="text-align: right;">12</p> | <p>MASK, FENDER</p>  <p style="text-align: right;">13</p> | <p>DECAL</p>  <p style="text-align: right;">14</p> |

| | | | |
|---|---|--|---|
| <p>FRONT WHEEL</p>  <p>15</p> | <p>REAR WHEEL</p>  <p>16</p> | <p>HAND BRAKE CYLINDER</p>  <p>17</p> | <p>REAR BRAKE CONTROL</p>  <p>18</p> |
| <p>BRAK CALIPER FRONT</p>  <p>19</p> | <p>BRAKE CALIPER REAR</p>  <p>20</p> | <p>ACCESSORIES KIT</p>  <p>21</p> | |
| |  <p>All information contained is without obligation. KTM Sportmotorcycle GmbH particularly reserves the right to modify any equipment, technical specifications, prices, colors, shapes, materials, services, service work, constructions, equipment and the like so as to adapt them to local conditions or to cancel any of the above items, all without previous announcement and without giving reasons. KTM may stop manufacturing certain models without previous notice. KTM shall not be held liable for any deviations of availability and/or ability to deliver, illustrations, descriptions, printing and/or other errors. The illustrated models partly contain extra equipment, which is not applied to standard models.</p> <p>© by KTM Sportmotorcycle GmbH, Mattighofen AUSTRIA; All rights reserved; Reprint, also in extracts, with written allowance of KTM Sportmotorcycle GmbH, Mattighofen only.</p> | | |

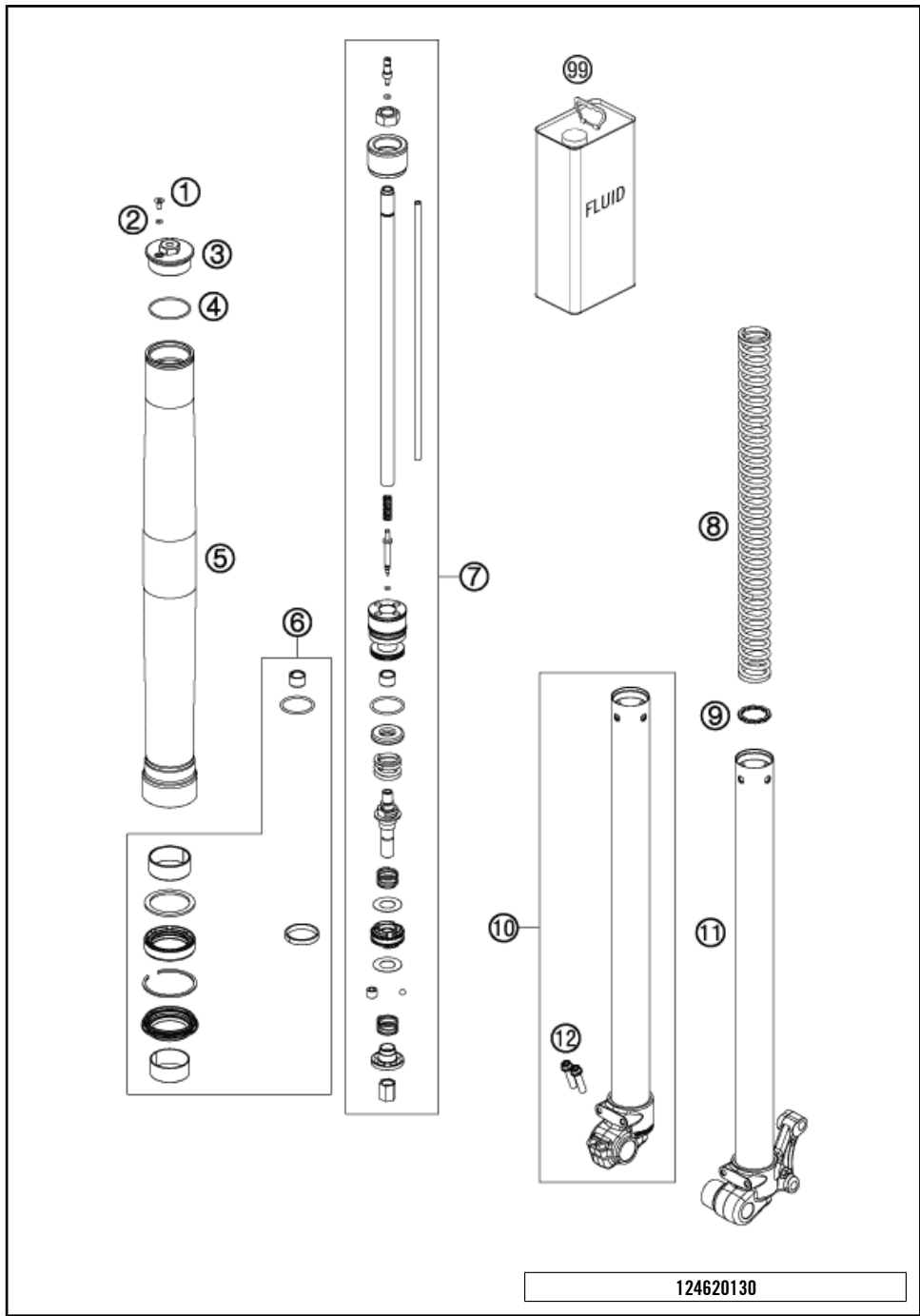


| POS | PARTNUMBER | PARTNAME | PIECE |
|-----|---------------|--------------------------------|-------|
| 1 | 07187L0401 | FORK WP 65SX 2012 | 1 |
| 2 | 0025060306 | HH COLLAR SCREW M6X30 TX30 | 2 |
| 5 | 0025080306 | HH COLLAR SCREW M8X30 TX40 | 11 |
| 6 | 0032100256S | AH-COLLAR SCREW M10X25 ISA45 | 2 |
| 31 | 46201032022 | BOT.FORK PLATE CPL. | 1 |
| 34 | 45201034022 | TOP TRIPLE CLAMP | 1 |
| 38 | 50301038000 | HANDLEBAR CLAMP D=22MM 2001 | 2 |
| 39 | 45201039000 | HANDLEBAR SUPPORT 50SX D=22MM | 1 |
| 42 | 59030029000 | HH NUT M20X1,5 WS=27 RIGHT | 1 |
| 43 | 49001086000 | COVERING CAP | 1 |
| 44* | 0770049025 | O-RING 49,00X2,50 NBR | 1 |
| 45 | 49001081000 | TAPERED ROLLER BEARING 32004X | 2 |
| 46 | 46001086000 | PROTECTION RING 20,1X39X5 | 1 |
| 47 | 0770360030 | O-RING 36,00X3,00 NBR | 1 |
| 91 | 59001092050 | SPECIAL SCREW M6X12,5 WS=8 | 6 |
| 92 | 4610109400028 | FORK PROTECTOR SET 65 SX WHITE | 1 |
| 94 | 5460108500028 | BRAKE HOSE CLIP | 1 |
| 95 | 0025050166 | HH COLLAR SCREW M5X16 TX30 | 2 |
| 96 | 0985050003 | SELF LOCKING NUT DIN0985-M 5 | 2 |
| 98 | 00050000931 | STEERING HEAD REP. KIT MINI | x |
| 99 | 00050000925 | HANDLEBAR SUPPORT KIT 50SX '12 | 1 |

124620110

C154620110

* NEW PART X ON DEMAND



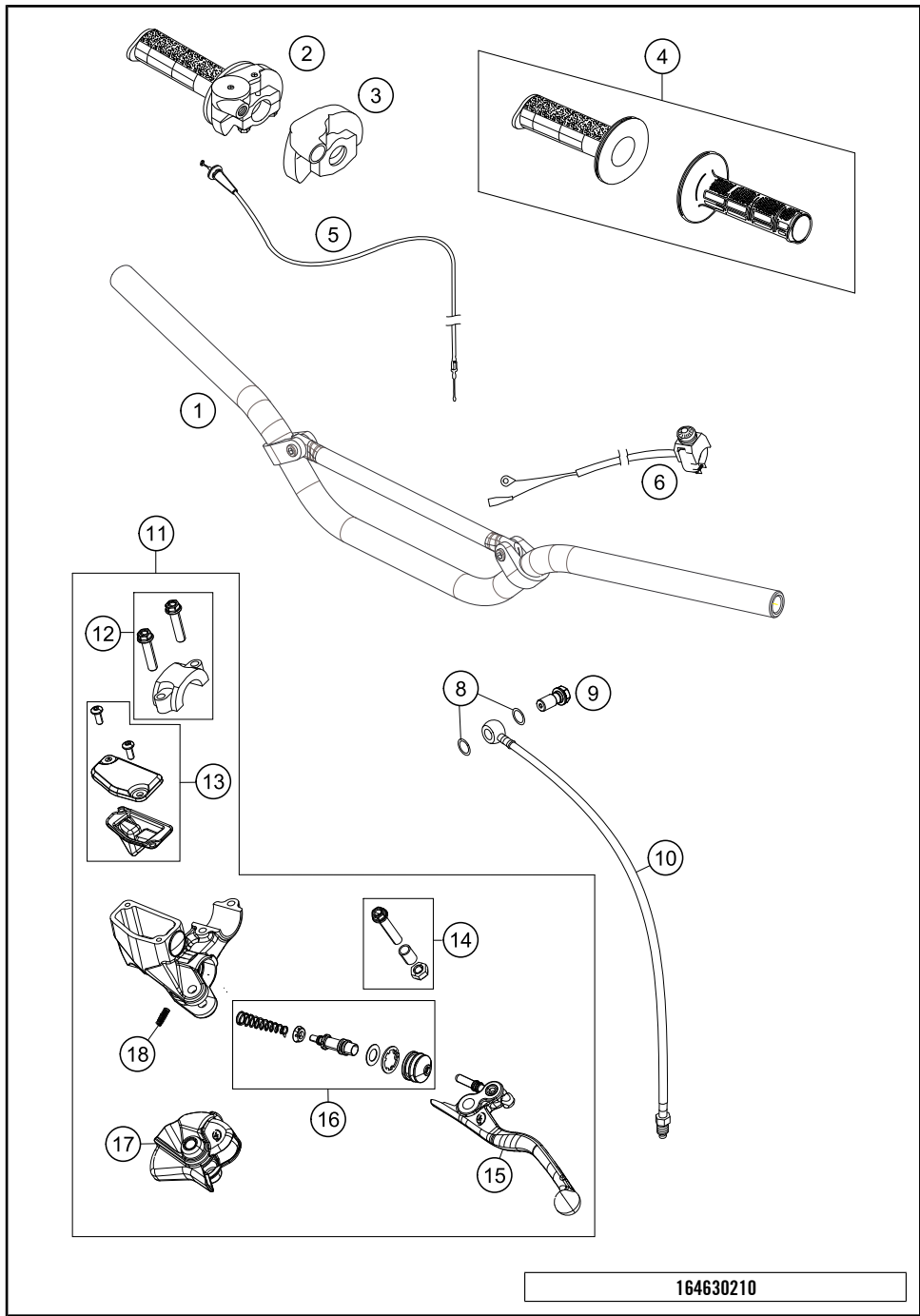
| POS | PARTNUMBER | PARTNAME | PIECE |
|-----|------------|-------------------------------|-------|
| 1 | 48600481 | VENT SCREW M4X8 | 2 |
| 2 | 48600046 | O-RING NBR 3X1,5 | 2 |
| 3 | 35480496S | SCREW CAP M38X1,5 ADJ. REB | 1 |
| 3 | 35480496S1 | SCREW CAP M38X1,5 ADJ. COM | 1 |
| 4 | 46180581 | O-RING 35X1.5 NBR70 | 2 |
| 5 | 35480472 | OUTER TUBE L=465 | 2 |
| 6 | R703 | REPAIR KIT 50SX 2012 | 1 |
| 7 | 35480477S | PISTON ROD L/S CPL. | 1 |
| 7 | 35480477S3 | PISTON ROD R/S CPL. | 1 |
| 8 | 95010056S | SPRING 2,6 N/MM SET | x |
| 8 | 95010044S | SPRING 2,8N/MM D3,6 SET | 1 |
| 8 | 95010057S | SPRING 3,0 N/MM SET | x |
| 9 | 35480497 | WASHER 22X30X2.5 | x |
| 10 | 35480455S2 | AXLE CLAMP KTM 65SX R/S. CPL. | 1 |
| 11 | 35480466S2 | AXLE CLAMP KTM 65SX L/S CPL. | 1 |
| 12 | 0025060256 | HH COLLAR SCREW M6X25 TX30 | 2 |
| 99 | 48600765 | FORK OIL SAE5 | 1 |

124620130

C134620130

* NEW PART

X ON DEMAND



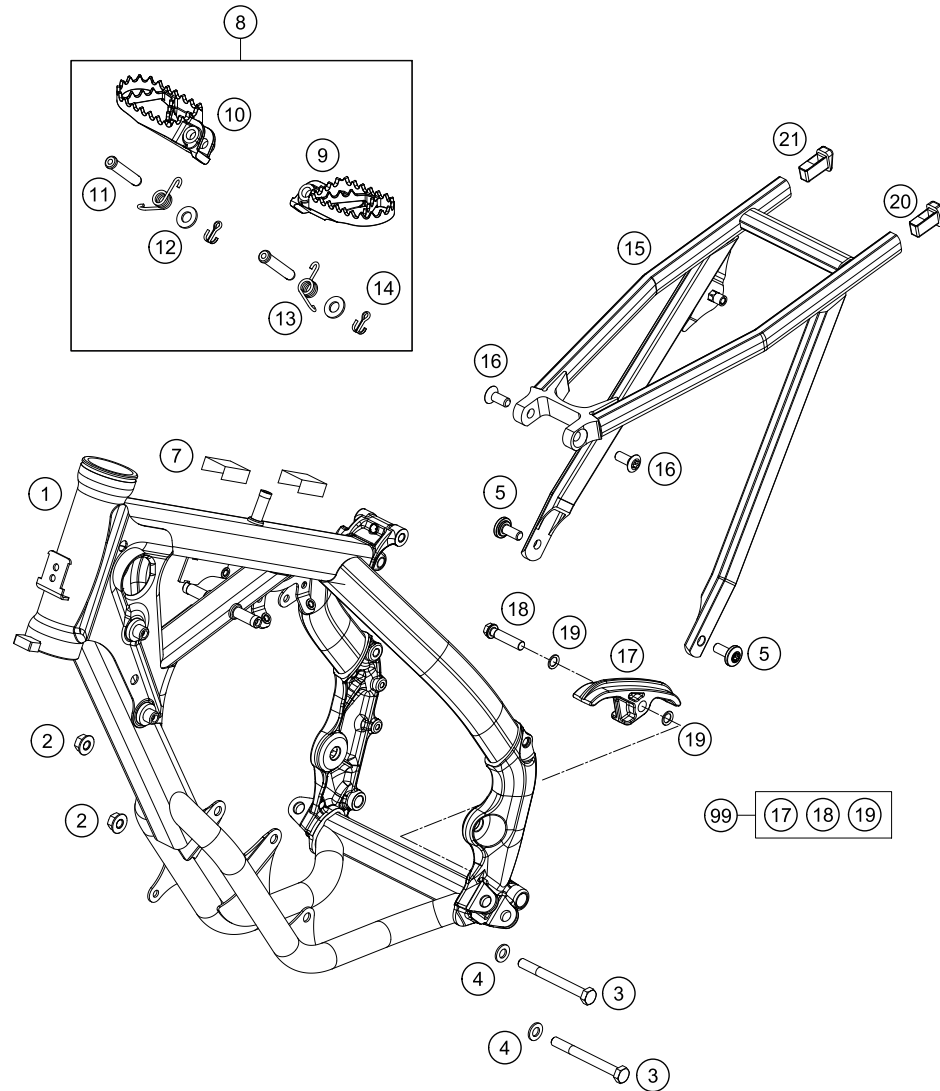
164630210

| POS | PARTNUMBER | PARTNAME | PIECE |
|-----|-------------|--------------------------------|-------|
| 1* | 46302001000 | HANDLEBAR 65 SX 2016 | 1 |
| 2 | 46202010000 | THROTTLE GRIP 65SX 09 | 1 |
| 3 | 50302020000 | PROTECTION COVER '97 | 1 |
| 4 | 63002021100 | GRIP SET DUAL COMPOUND | 1 |
| 5 | 46202091000 | THROTTLE CABLE 65 SX 2009 | 1 |
| 6 | 50311089200 | SHORT CIRCUIT BUTTON 02 | 1 |
| 8 | 0770080019 | O-RING 8,00X1,00 FORMULA | 2 |
| 9 | 47013025000 | HOLLOW SCREW BRAKE CYLINDER 03 | 1 |
| 10 | 47132063000 | CLUTCH PIPE | 1 |
| 11 | 72002030100 | MASTER CYLINDER CPL. 10MM | 1 |
| 12 | 72013005000 | CLAMP | 1 |
| 13 | 72002003000 | COVER F. MASTER CYLINDER CPL. | 1 |
| 14 | 70002038000 | LEVER SCREW CPL. | 1 |
| 15 | 72013002000 | LEVER CPL. | 1 |
| 16 | 72002032000 | REP. KIT PISTON 10MM | 1 |
| 17 | 72002037000 | MUDCOVER CLUTCH LEVER | 1 |
| 18 | 72002035000 | SPRING FOR CLUTCH LEVER | 1 |

C164630210

* NEW PART

X ON DEMAND



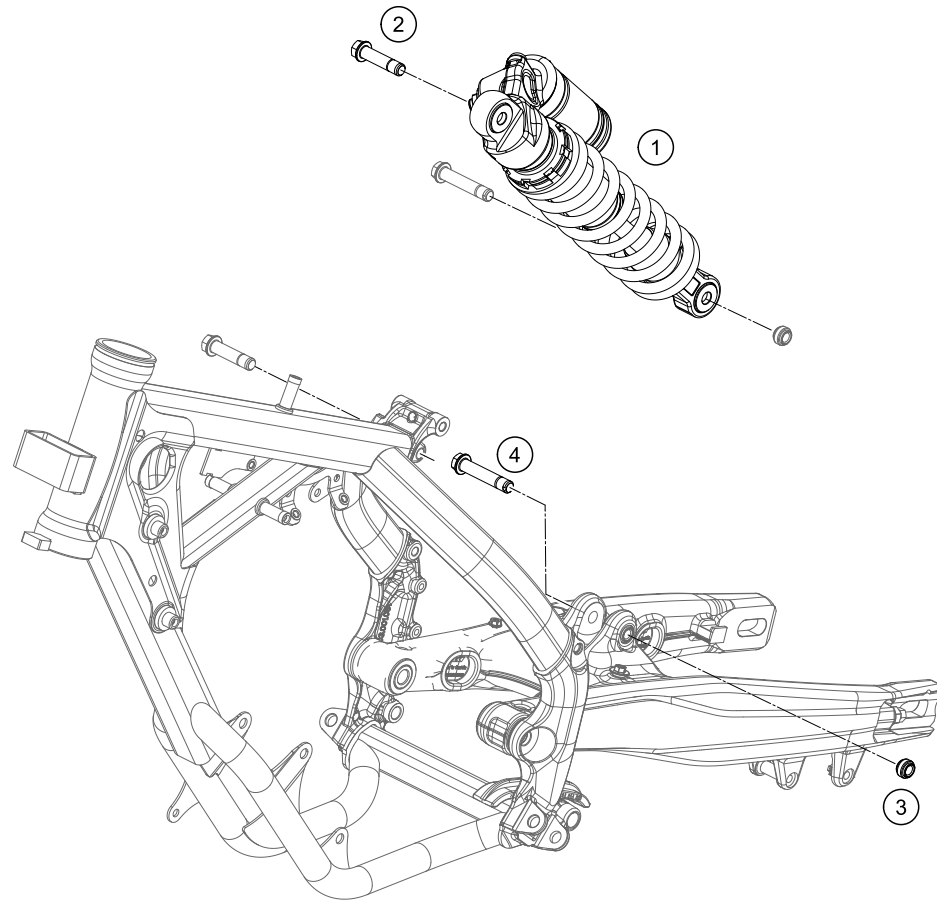
| POS | PARTNUMBER | PARTNAME | PIECE |
|-----|---------------|--------------------------------|-------|
| 1* | 4630300100033 | FRAME "463P3" BLACK | 1 |
| 2 | 06923080003 | HEXAGON NUT DIN EN1661 M8 SW13 | 2 |
| 3 | 0931080805S | HH SCREW DIN931 M8X80 SS | 2 |
| 4 | 0125080003 | WASHER DIN0125-A 8,4 | 2 |
| 5* | 79003003000 | SPECIAL SCREW M8X18 TORX45 SS | 2 |
| 7 | 50307012000 | ADH. FOIL TRANSP. 80X80 MM 04 | 2 |
| 8 | 47103040033 | FOOTREST CPL. 14 | 1 |
| 9 | 47103040000 | FOOTREST L/S | 1 |
| 10 | 47103041000 | FOOTREST R/S | 1 |
| 11 | 54803044000 | PIN FOR FOOT PED 51.5X9.8 MM | 2 |
| 12 | 0125100003 | WASHER DIN0125-A10,5 | 2 |
| 13 | 54603041000 | FOOTREST SPRING L/S & R/S | 2 |
| 14 | 0094032253 | PIN DIN0094-3,2X25 STEEL | 2 |
| 15* | 46303002000 | SUBFRAME 65SX 2016 | 1 |
| 16 | 0019080206S | FLAT HEAD SCREW M. ISA45 M8X20 | 2 |
| 17 | 77303053000 | CHAIN SLIDING PIECE BELOW 07 | 1 |
| 18 | 0025080356 | HH COLLAR SCREW M8X35 TX40 | 1 |
| 19 | 36003014000 | LOCK WASHER 8MM | 2 |
| 20* | 78103002010 | SUB FRAME APPLICATION LEFT | 1 |
| 21* | 78103002020 | SUB FRAME APPLICATION RIGHT | 1 |
| 99 | 77303053110 | CHAIN SLIDING KIT BELOW 09-15 | 1 |

164630310

C164630310

* NEW PART

X ON DEMAND



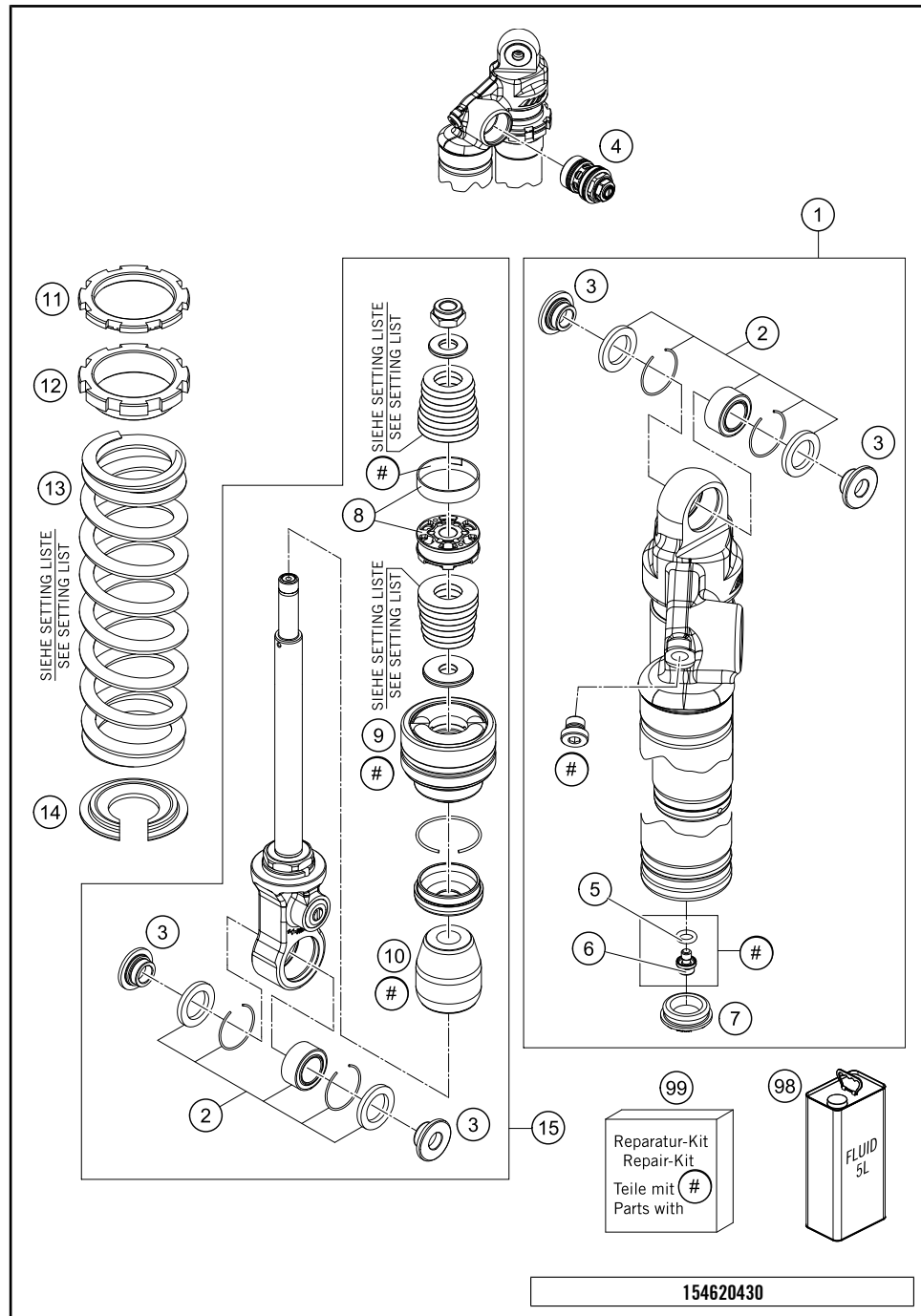
| POS | PARTNUMBER | PARTNAME | PIECE |
|-----|-------------|--------------------------------|-------|
| 1 | 0318700301 | MONOSHOCK 65SX 2015 | 1 |
| 2 | 69004089000 | HH COLLAR SCREW M10X42 WS13 08 | 1 |
| 3* | 69004095000 | ADAPTOR NUT M10 | 1 |
| 4* | 77204089000 | HH COLLAR SCREW M10X52 SW13 | 1 |

164630410

C164630410

* NEW PART

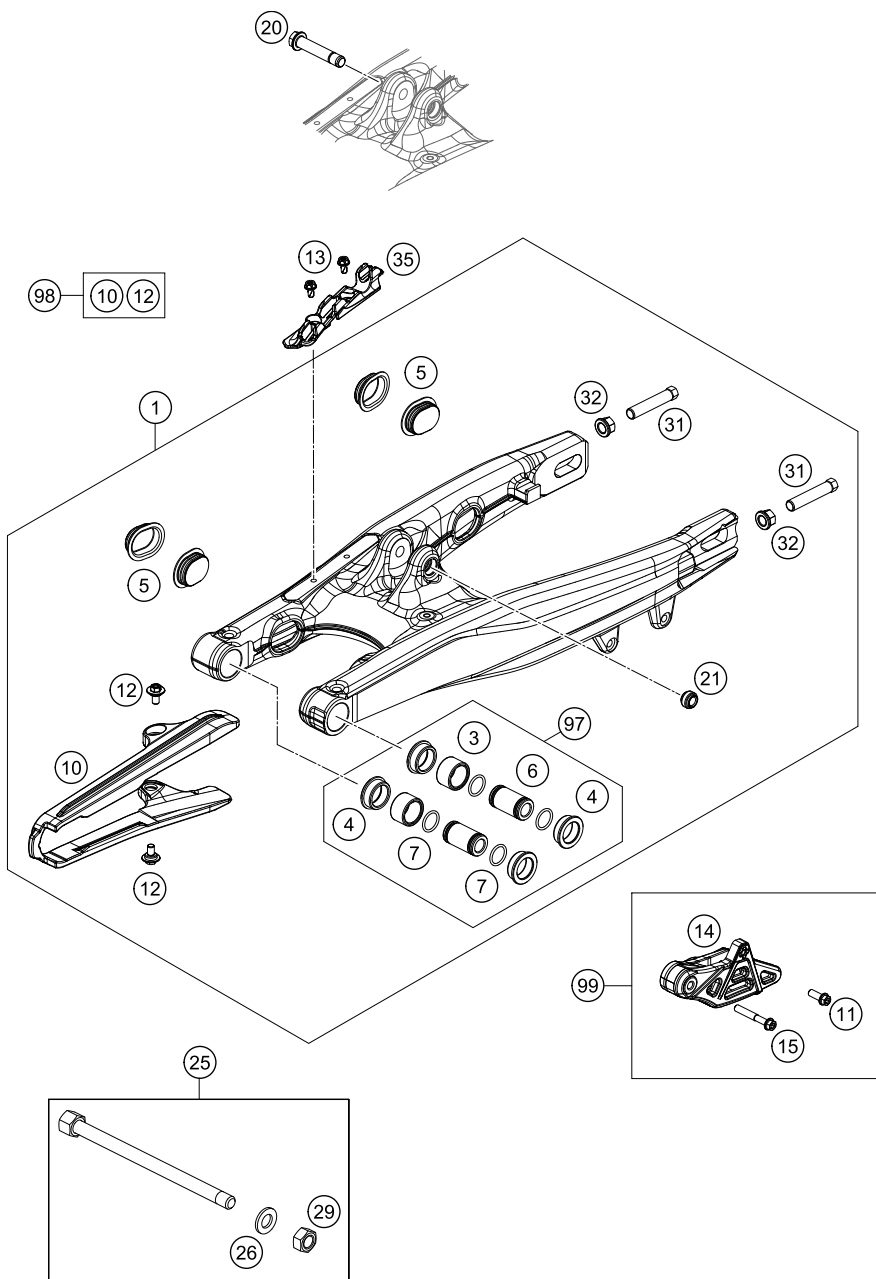
X ON DEMAND



| POS | PARTNUMBER | PARTNAME | PIECE |
|-----|-------------|--------------------------------|-------|
| 1 | 36120846S1 | MONOSHOCK TOP PART CPL. | 1 |
| 2 | R15009 | BEARING KIT KGW 1525 990 DUKE | 2 |
| 3 | 46180009 | SPACER BUSHING KGW 10X22 | 4 |
| 4 | 50180213S25 | DCC-COMPR.DAMP.CONTROL CPL. 15 | 1 |
| 5 | 46810893 | O-RING NBR 5,28X1,78 | 1 |
| 6 | 36120151 | SCREW PLUG M5X6 | 1 |
| 7 | 46811208 | RUBBER CAP "DO NOT OPEN" | 1 |
| 8 | 14460016 | PISTON + PISTON SPRING | 1 |
| 9 | 36120787S | ADAPTOR 36MM H26,6 CPL. 07 | 1 |
| 10 | 36120799 | BUMP RUBBER | 1 |
| 11 | 36120015 | COUNTERNUT | 1 |
| 12 | 36120418 | ADJUSTING NUT | 1 |
| 13 | 93010207S | SHOCK SPRING 35N/mm - 210mm | x |
| 13 | 93010208S | SHOCK SPRING 40N/mm - 210mm | x |
| 13 | 93010209S | SHOCK SPRING 45N/mm - 210mm | x |
| 14 | 36120386 | SPRING RET. H=3, D=14,5 | 1 |
| 15 | 36120781S12 | MONOSHOCK LOWER PART CPL. | 1 |
| 98 | 50180751S1 | SHOCK ABSORBER FLUID 5 LT | 1 |
| 99 | R12023 | % REPAIR KIT | 1 |

C154620430

* NEW PART X ON DEMAND

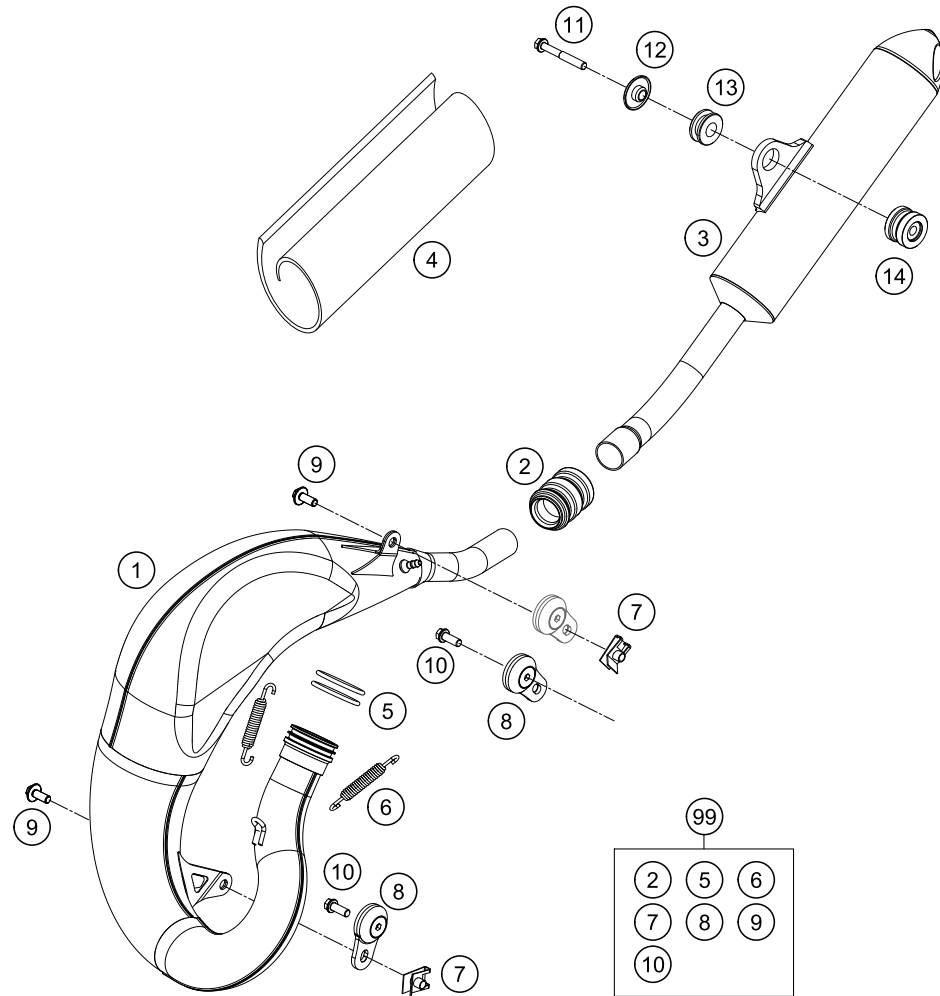


| POS | PARTNUMBER | PARTNAME | PIECE |
|-----|-------------|------------------------------|-------|
| 1* | 46304030044 | SWING ARM CPL. 65 SX 2016 | 1 |
| 3 | 54603097000 | NEEDLE BUSH HK 2016 | 2 |
| 4 | 46004030070 | SPACER BUSHING 20X26X30X9,7 | 4 |
| 5* | 77204041000 | CLOSING COVER | 4 |
| 6 | 46004030071 | BUSHING BOX 12X20X36,5 | 2 |
| 7 | 0770160021 | O-RING 16,00X2,00 VITON | 4 |
| 10* | 46304066000 | CHAIN SLID. GUARD | 1 |
| 11* | 0025060166 | HH COLLAR SCREW M6X16 TX30 | 1 |
| 12* | 83008000012 | SPECIAL SCREW M6X12X3 | 2 |
| 13 | 0009050106 | EJOT SPIRAL SCREW SF M5X10-K | 2 |
| 14* | 46304070000 | CHAIN GUIDE | 1 |
| 15 | 0025060406 | HH COLLAR SCREW M6X40 TX30 | 1 |
| 20* | 77204089000 | HH COLLAR SCREW M10X52 SW13 | 1 |
| 21* | 69004095000 | ADAPTOR NUT M10 | 1 |
| 25* | 46204037033 | SWINGARM BOLT CPL. 201MM | 1 |
| 26 | 0125120003 | FLAT WASHER DIN0125-A13 | 1 |
| 29 | 0934120103 | HEXAGON NUT DIN0934-M12X1 | 1 |
| 31* | 50203030090 | HH SCREW M8X40 WS=10 | 2 |
| 32* | 46030045000 | COLLAR NUT M8 WS=10 | 2 |
| 35* | 47113047000 | BRAKE HOSE GUIDE | 1 |
| 97 | 45204230010 | SWINGARM REP. KIT 50/65 SX | 1 |
| 98* | 46304066010 | CHAIN GUARD KIT 2016 | 1 |
| 99* | 46307066010 | CHAIN GUIDE KIT REAR 2016 | 1 |

164630490

C164630490

* NEW PART X ON DEMAND



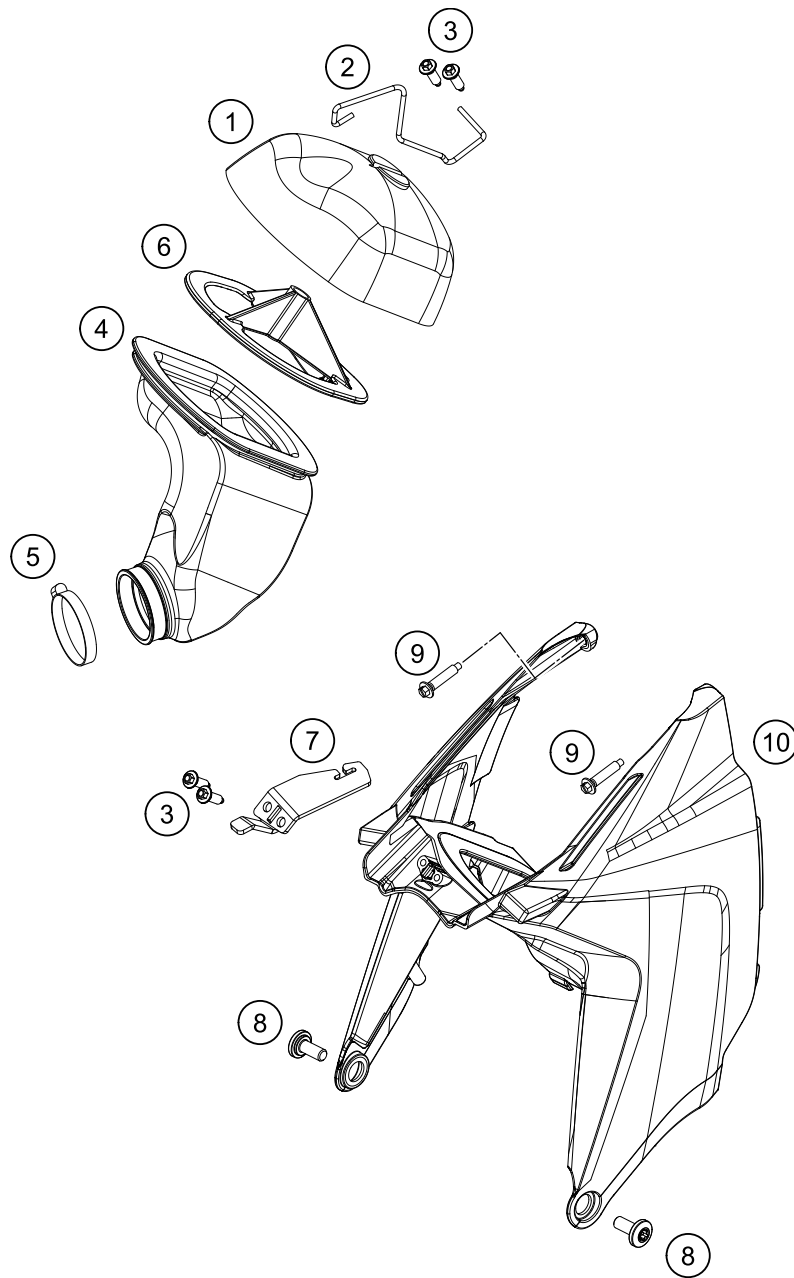
| POS | PARTNUMBER | PARTNAME | PIECE |
|-----|-------------|-------------------------------|-------|
| 1* | 46305007000 | EXHAUST PIPE CPL. | 1 |
| 2 | 54605057000 | RUBBER SLEEVE D=21MM/23MM '93 | 1 |
| 3* | 46305079000 | SILENCER 65 SX | 1 |
| 4 | 45105079056 | ROCKWOOL PREFOMED 50 2002 | 1 |
| 5 | 0770350030 | O-RING 35,00X3,00 VITON | 2 |
| 6 | 50305016000 | TEN.SPRING L=62MM EY.MOVEABLE | 2 |
| 7 | 54603048100 | RANGE CHANGE METAL NUT M6 | 2 |
| 8 | 50305012000 | SWINGELEMENT FOR EXHAUST PIPE | 2 |
| 9 | 0024060156 | HH COLLAR SCREW M6X15 TX30 | 2 |
| 10 | 0025060166 | HH COLLAR SCREW M6X16 TX30 | 2 |
| 11 | 0025060456 | HH COLLAR SCREW M6X45 TX30 | 1 |
| 12 | 46205169000 | BUSHING 7.5X12X28X7.6 | 1 |
| 13 | 77205068000 | DAMP. COMPON. BLACK | 1 |
| 14 | 46205069100 | BUSHING 7.5X12X28X23.6 | 1 |
| 99 | 00050000812 | EXHAUST HARDWARE KIT MINI | 1 |

164630510

C164630510

* NEW PART

X ON DEMAND



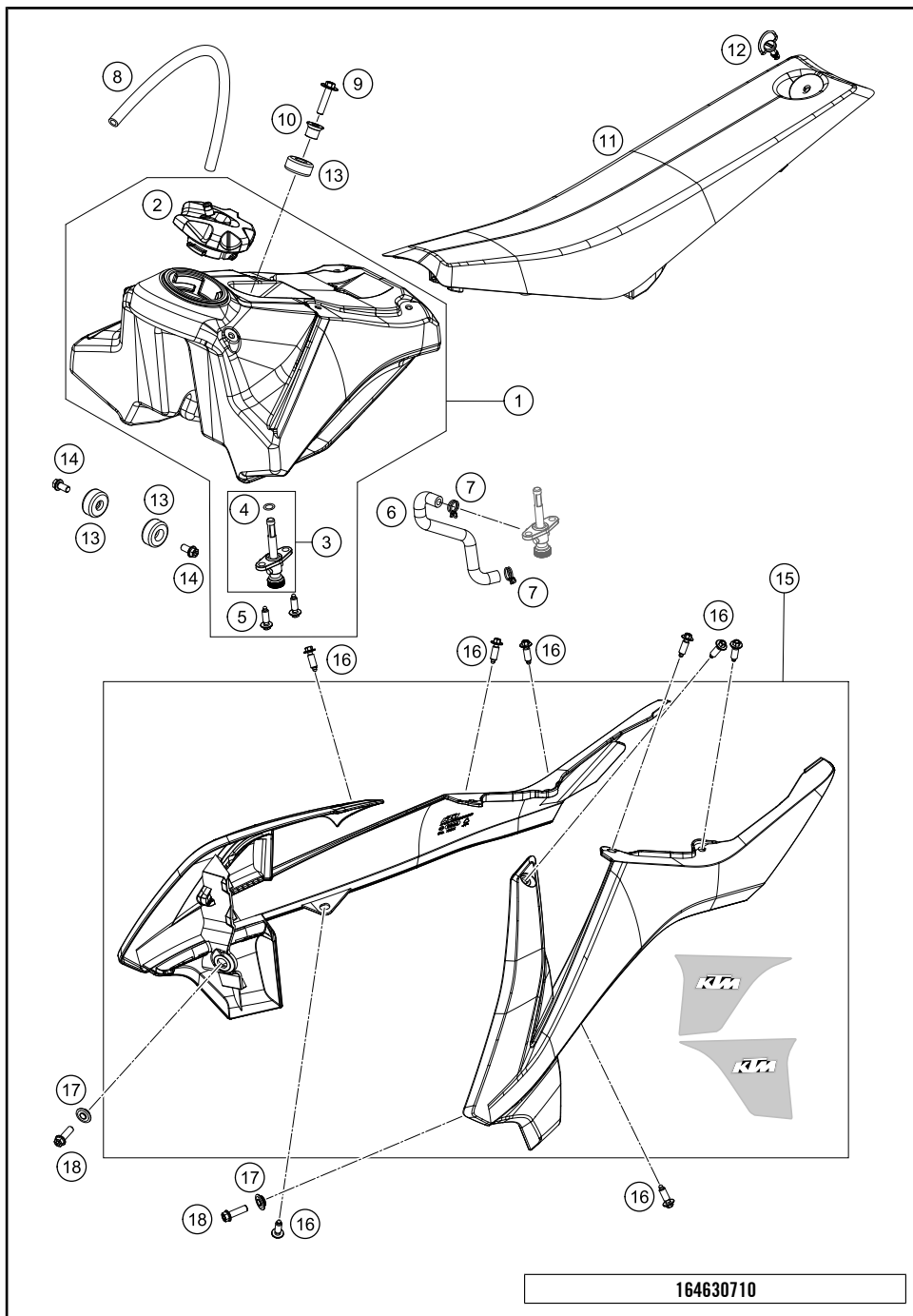
| POS | PARTNUMBER | PARTNAME | PIECE |
|-----|---------------|--------------------------------|-------|
| 1 | 58406015100 | AIR FILTER | 1 |
| 2 | 46206017000 | FILTER BOW 65 SX 2009 | 1 |
| 3 | 0017060205 | SCREW FOR PLASTIC K60X20 SW6 | 4 |
| 4 | 46206026000 | CARBURETOR CONN. BOOT 65 SX 09 | 1 |
| 5 | 78006027000 | HOSE CLAMP 45-65MM | 1 |
| 6 | 58406016000 | FILTER CARRIER '97 | 1 |
| 7 | 46206017050 | AIR FILTER BOW PANEL 65SX 2009 | 1 |
| 8* | 79003003000 | SPECIAL SCREW M8X18 TORX45 SS | 2 |
| 9* | 0017060305 | SPECIAL SCREW K60X30 WS=6 | 2 |
| 10* | 4630600100028 | AIR FILTER BOX 65 SX | 1 |

164630610

C164630610

* NEW PART

X ON DEMAND



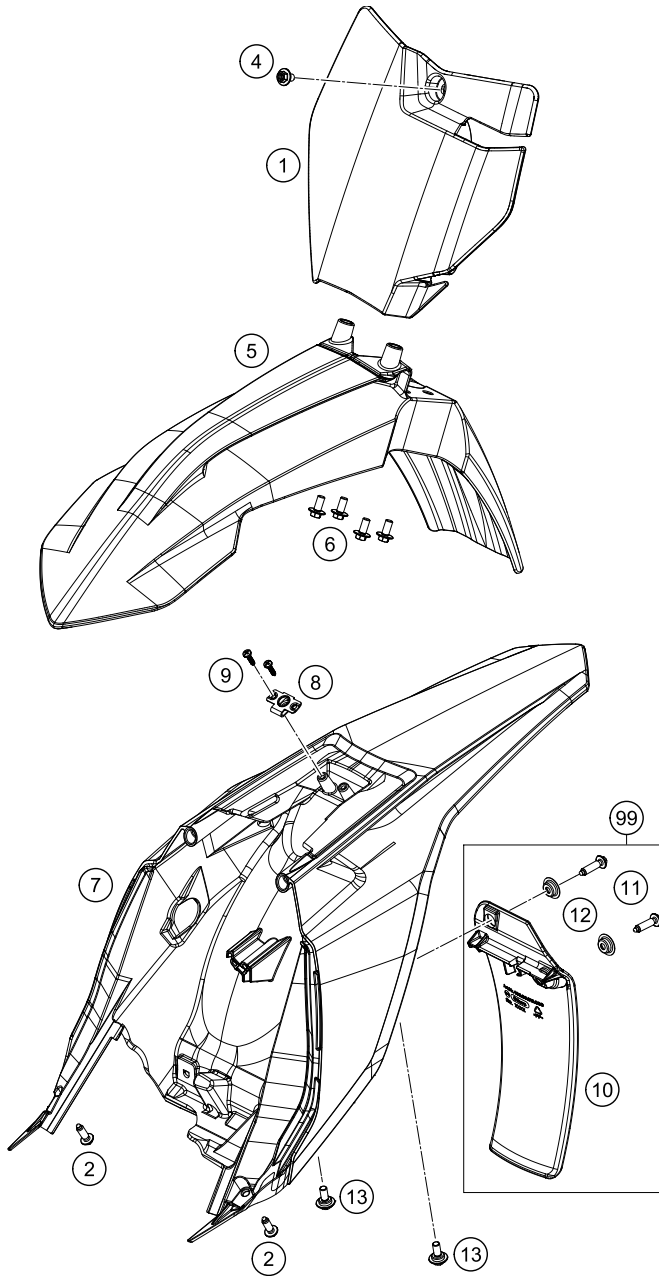
| POS | PARTNUMBER | PARTNAME | PIECE |
|-----|----------------|-----------------------------------|-------|
| 1* | 4630701303330 | FUEL TANK CPL. 3L 2016 | 1 |
| 2 | 78107008044X4 | TANK PLUG CPL. 14 | 1 |
| 3 | 58507003200 | FUEL COCK CPL. | 1 |
| 4 | 0770020130 | O-RING 1,78x10,82x14,38 2-013 | 1 |
| 5 | 0017060205 | SCREW FOR PLASTIC K60X20 SW6 | 2 |
| 6* | 46307016000 | FUEL HOSE 65SX 2016 | 1 |
| 7 | 58007117000 | YDNAC-CLAMP 10107 10MM | 2 |
| 8 | 78007000270 | PVC-HOSE 5,6X10X270MM | 1 |
| 9 | 0024060273 | COLLAR SCREW M6X27 TX | 1 |
| 10 | 77307026000 | TANK BUSHING 07 | 1 |
| 11* | 46307040000 | SEAT | 1 |
| 12 | 45007040051 | QUICK RELEASE CPL. 50 SXR '97 | 1 |
| 13 | 50307014000 | TANK ROLLER 12X26X12 '98 | 3 |
| 14 | 0025060126 | HH COLLAR SCREW M6X12 TX30 | 2 |
| 15* | 46308054000EBA | SPOILER SET 65 SX 2016 WITH DECAL | 1 |
| 16 | 0017060206 | SCREW F. PLASTIC K60X20AL SW6 | 8 |
| 17 | 50308052000 | BUSH FOR SPOILER 6X11X16X5 MM | 2 |
| 18 | 0025060206 | HH COLLAR SCREW M6X20 TX30 | 2 |

164630710

C164630710

* NEW PART

X ON DEMAND



164630810

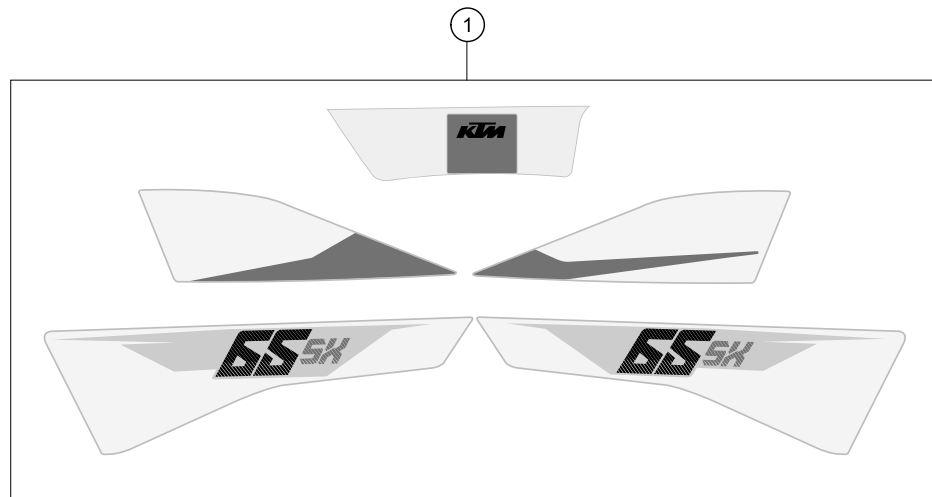
| POS | PARTNUMBER | PARTNAME | PIECE |
|-----|----------------|-------------------------------|-------|
| 1* | 4630800700028 | NUMBER PLATE 65SX WHITE | 1 |
| 2* | 0017060205 | SCREW FOR PLASTIC K60X20 SW6 | 2 |
| 4 | 0024060106 | HH COLLAR SCREW M6X10 TX30 | 1 |
| 5* | 46308010000EB | FRONT FENDER 65SX ORANGE | 1 |
| 6 | 0024060136 | HH COLLAR SCREW M6X13 TX30 | 4 |
| 7* | 4630801300028A | REAR PART 65SX | 1 |
| 8 | 45007040050 | QUICK RELEASE LATCHPLATE | 1 |
| 9 | 0981350163 | SHEET MET.SCR.DIN7981- 3,5X16 | 2 |
| 10* | 46306010000 | SPLASH PROTECTION 65SX 2016 | 1 |
| 11* | 0017060255 | EJOT PT SCREW K60X25-Z SW6 | 2 |
| 12* | 46104066050 | BUSH FOR CHAINSLIDER GUARD 02 | 2 |
| 13* | 83008000015 | SPECIAL SCREW M6X15X3 | 2 |
| 99* | 46306010010 | SPLASH PROTECTION KIT | x |

C164630810

* NEW PART

X ON DEMAND

| POS | PARTNUMBER | PARTNAME | PIECE |
|-----|-------------|----------------------|-------|
| 1* | 46308099000 | DECAL SET 65 SX 2016 | 1 |

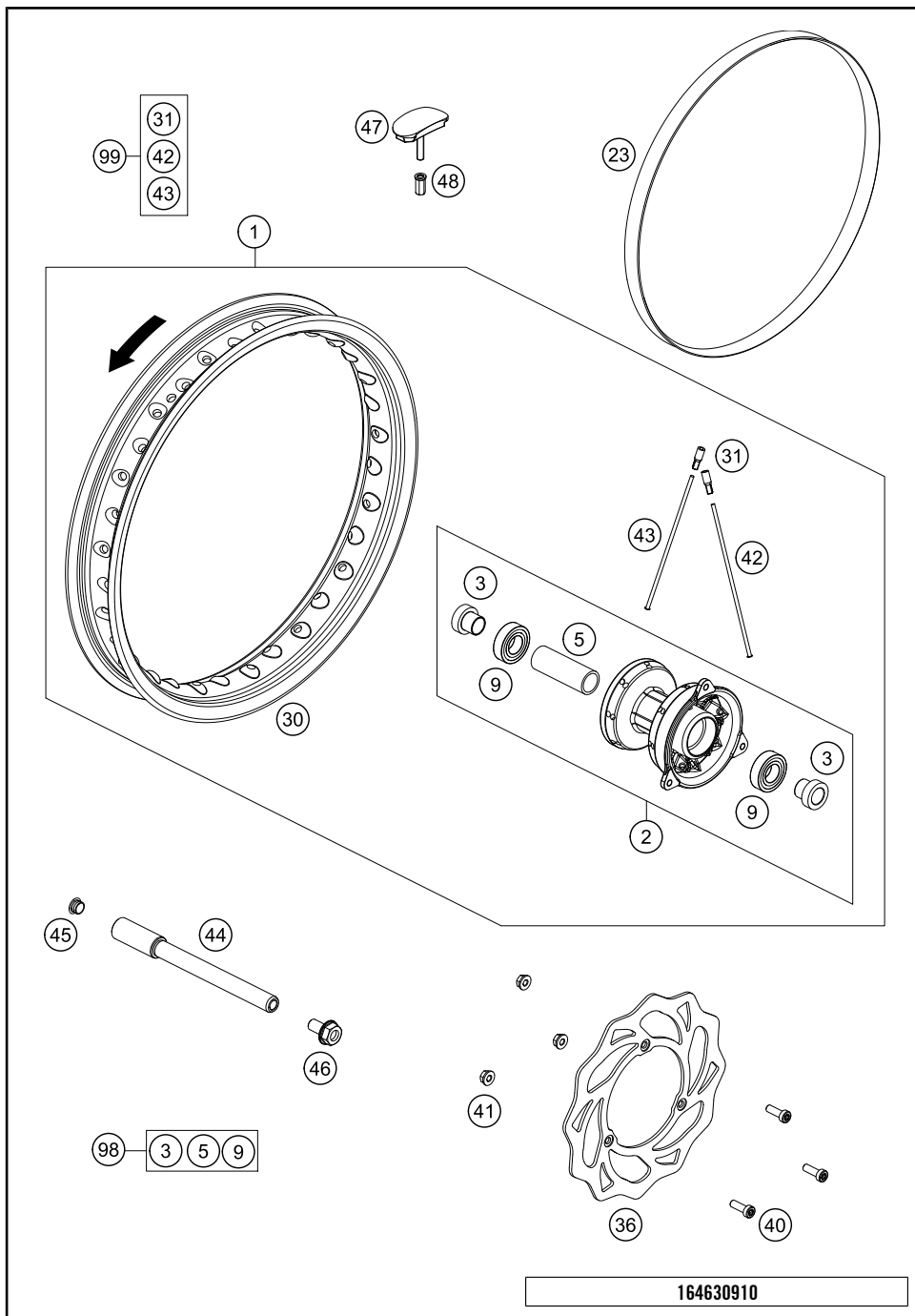


164630830

C164630830

* NEW PART

X ON DEMAND



| POS | PARTNUMBER | PARTNAME | PIECE |
|-----|---------------|--------------------------------|-------|
| 1 | 46209001144 | FRONT WHEEL ET 65SX 2012 | 1 |
| 2 | 46209010044 | FRONT WHEEL HUB CPL. 65SX 2012 | 1 |
| 3 | 46209012000 | DISTANCE BUSHING FRONT 65SX | 2 |
| 5 | 46009011100 | BEARING SPACER TUBE | 1 |
| 9 | 0625060037 | GR.BALL BEAR. 6003-2RSH/C3HMTF | 2 |
| 23 | 47010073000 | RIM BAND 85 SX 14" 2003 | 1 |
| 30 | 4620907000030 | RIM FRONT 14"X1,6 BLACK 2009 | 1 |
| 31 | 46210072000 | SPOKE NIPPLE ALU | 32 |
| 36 | 46209060100 | BRAKE DISC FRONT 65 SX 2012 | 1 |
| 40 | 59009062016 | SPECIAL SCREW M6X16 WS=8 10.9 | 3 |
| 41 | 56509064100 | SELF LOCKING NUT M6 10.9 | 3 |
| 42 | 46209071148 | SPOKE 3X148 C.165° C.3,3 | 16 |
| 43 | 46209071150 | SPOKE 3X150 C.166° C.2,6 | 16 |
| 44 | 45209081000 | AXLE FRONT | 1 |
| 45 | 50210086000 | COVERING CAP SFL16 | 1 |
| 46 | 49032011000 | HH COLLAR SCREW M10X20 WS=17 | 1 |
| 47 | 45110090000 | RIM LOCK CPL. 2004 | 1 |
| 48 | 77110090050 | NUT FOR WHEEL HOLDER | 1 |
| 98 | 46209015000 | FRONT WHEEL REP. KIT 65 SX | x |
| 99 | 00050000918 | SPOKE KIT FRONT 14" '12 | x |

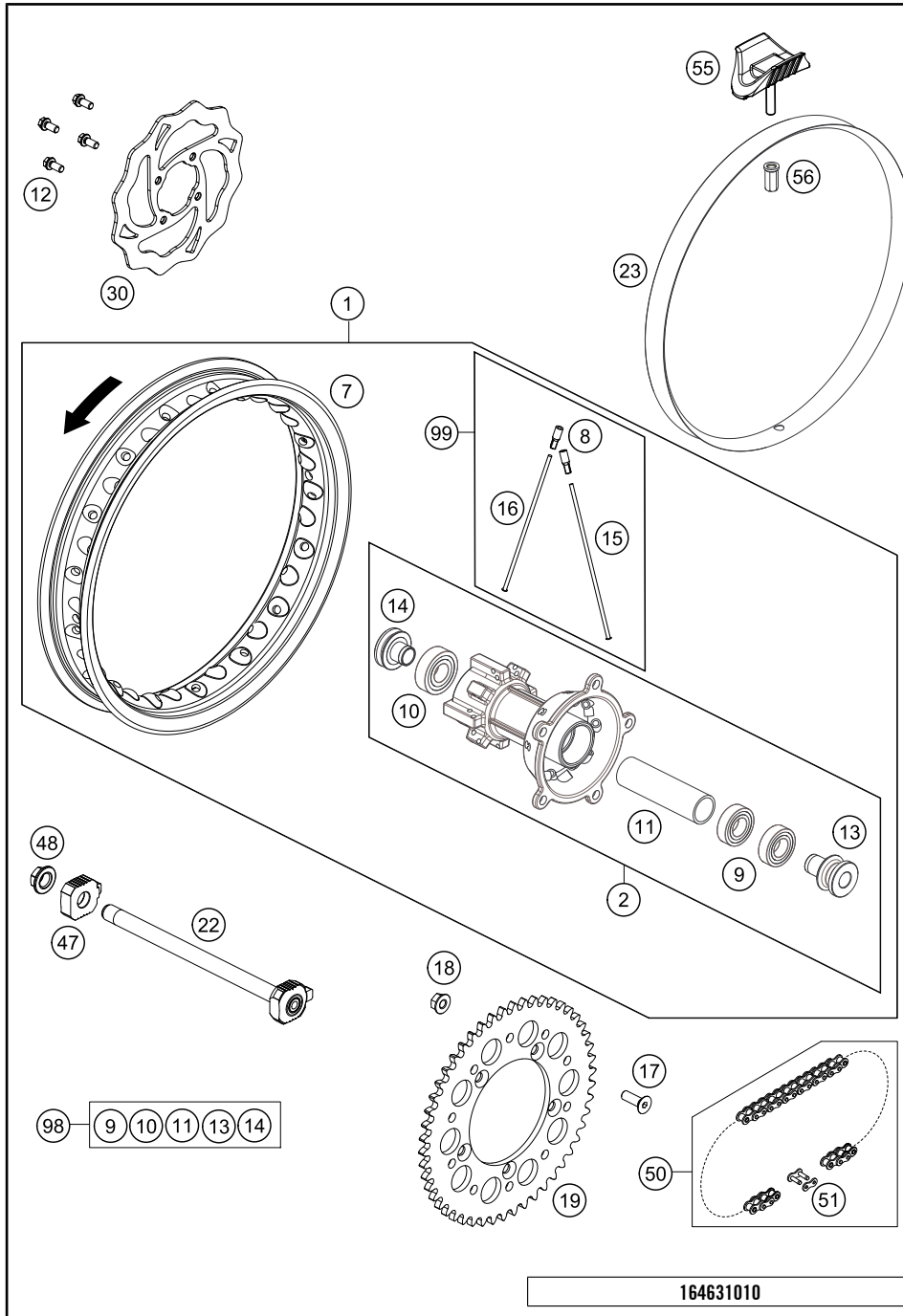
164630910

C164630910

* NEW PART X ON DEMAND

REAR WHEEL

65 SX 2016



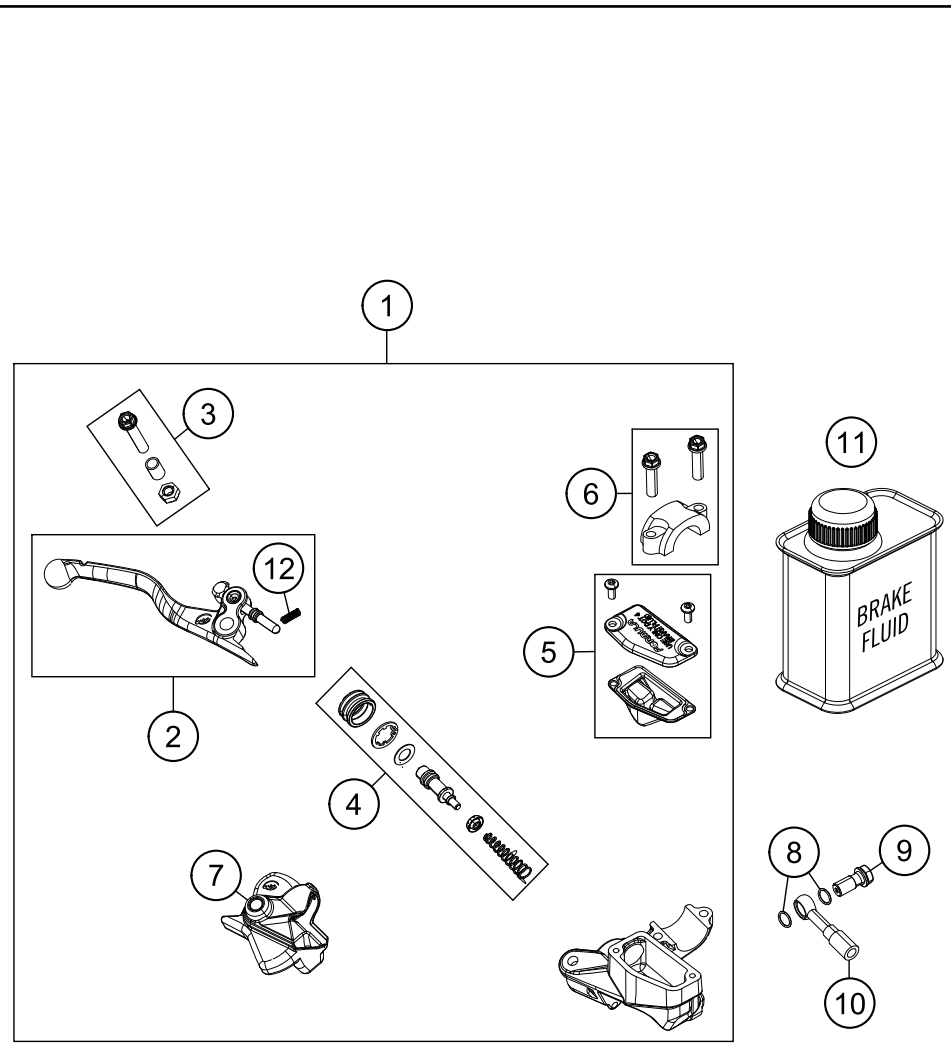
| POS | PARTNUMBER | PARTNAME | PIECE |
|-----|---------------|--------------------------------|-------|
| 1* | 46310001044 | REAR WHEEL CPL. 1,6X12"EXCEL16 | 1 |
| 2* | 46310010044 | REAR WHEEL HUB CPL. 65SX 2016 | 1 |
| 7 | 4621007000030 | RIM REAR 12"X1,6 BLACK 2009 | 1 |
| 8 | 46210072000 | SPOKE NIPPLE ALU | 32 |
| 9 | 0625060037 | GR.BALL BEAR. 6003-2RSH/C3HMTF | 2 |
| 10 | 0625062032 | GR.BALL BEAR. 6203-2RSHC3HMTF | 1 |
| 11 | 46010011000 | BEAR.SPACER TUBE REAR SX 60/65 | 1 |
| 12 | 59009062016 | SPECIAL SCREW M6X16 WS=8 10.9 | 4 |
| 13* | 46310013000 | SPACER BUSHING L/S | 1 |
| 14* | 46310014000 | SPACER BUSHING R/S | 1 |
| 15 | 46210071140 | SPOKE 3X140 C. 150° C.5 Zinc | 16 |
| 16 | 46210071133 | SPOKE 3X133 C.161 C.4 Zinc | 16 |
| 17 | 0991080253 | FLAT HEAD SCREW DIN7991-M 8X25 | 5 |
| 18 | 54310086200 | SELF LOCKING NUT M8 10.9 | 5 |
| 19 | 46010051046 | REAR SPROCKET 46-T | x |
| 19 | 46010051048 | REAR SPROCKET 48-T | x |
| 19 | 46010051050 | REAR SPROCKET 50-T | x |
| 22* | 46310085044 | AXLE REAR CPL. 2016 | 1 |
| 23 | 45109073100 | RIM BAND 12" | 1 |
| 30 | 46210060000 | BRAKE DISC REAR 65 SX 09 | 1 |
| 47* | 46310084000 | CHAIN TENSIONER R/S | 1 |
| 48* | 77204087000 | HEX NUT M14X1.5 SW17 | 1 |
| 50 | 46110165112 | CHAIN 1/2X1/4" 65 SX | 1 |
| 51 | 46110166000 | CONNECTING LINK 1/2X1/4" | 1 |
| 55 | 51009100100 | RIM LOCK VM1 (1,60") | 1 |
| 56 | 77110090050 | NUT FOR WHEEL HOLDER | 1 |
| 98 | 46310015000 | REAR WHEEL REP. KIT 65 SX 2016 | x |
| 99 | 00050000919 | SPOKE KIT REAR 12" '12 | x |

164631010

C164631010

* NEW PART

X ON DEMAND



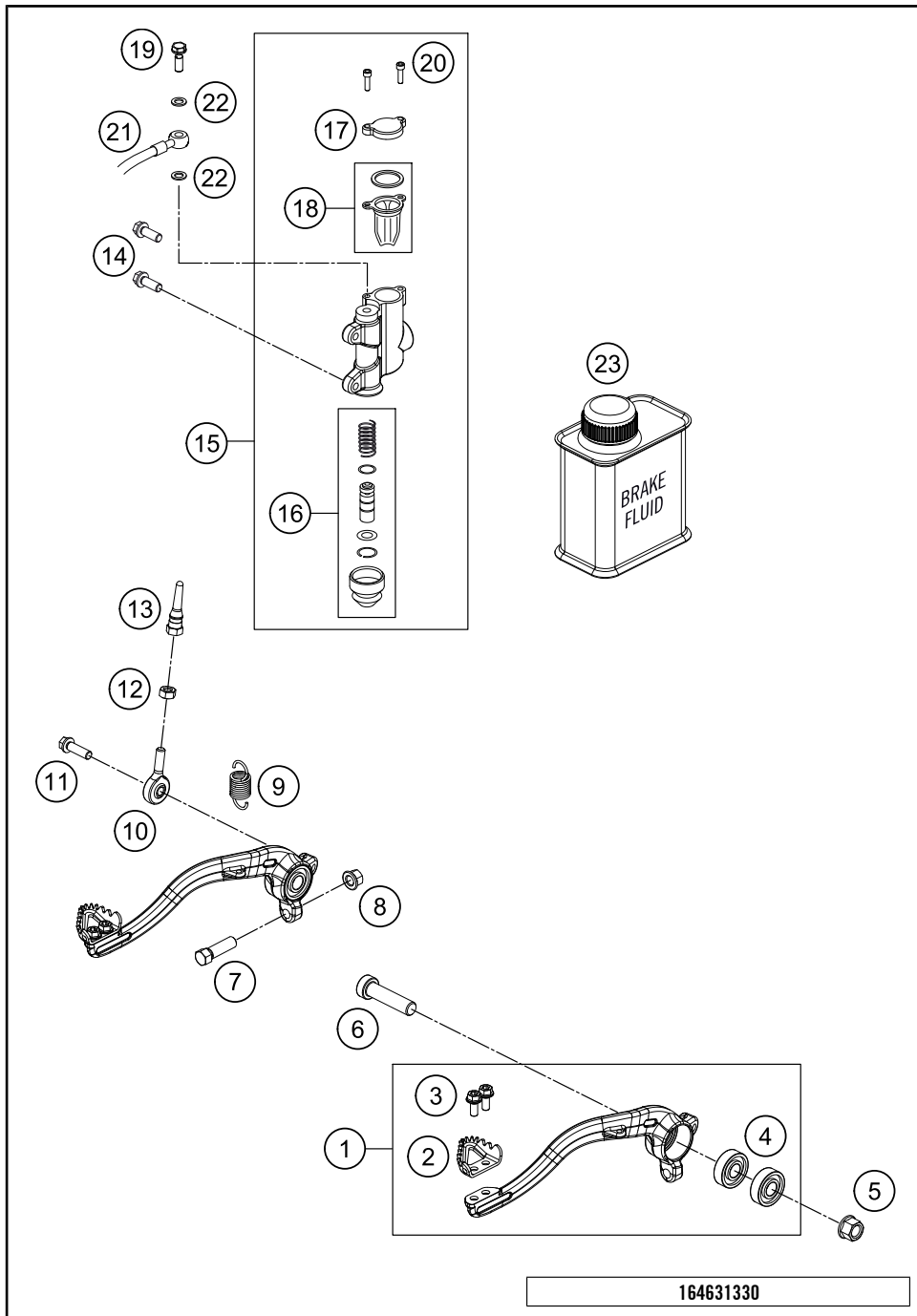
| POS | PARTNUMBER | PARTNAME | PIECE |
|-----|-------------|--------------------------------|-------|
| 1 | 47113001100 | HAND BRAKE CYLINDER CPL. 10 MM | 1 |
| 2 | 72013002000 | LEVER CPL. | 1 |
| 3 | 70002038000 | LEVER SCREW CPL. | 1 |
| 4 | 72002032000 | REP. KIT PISTON 10MM | 1 |
| 5 | 70013003000 | COVER HAND BRAKE CYLINDER CPL. | 1 |
| 6 | 72013005000 | CLAMP | 1 |
| 7 | 70013004000 | MUDCOVER HANDBRAKE LEVER | 1 |
| 8 | 0770080019 | O-RING 8,00X1,00 FORMULA | 2 |
| 9 | 47013025000 | HOLLOW SCREW BRAKE CYLINDER 03 | 1 |
| 10 | 46213010000 | BRAKE HOSE FRONT 65 SX 2012 | 1 |
| 11 | 00062030000 | BRAKE FLUID DOT5.1 0,25L | 1 |
| 12 | 72002035000 | SPRING FOR CLUTCH LEVER | 1 |

144621310

C154621310

* NEW PART

X ON DEMAND



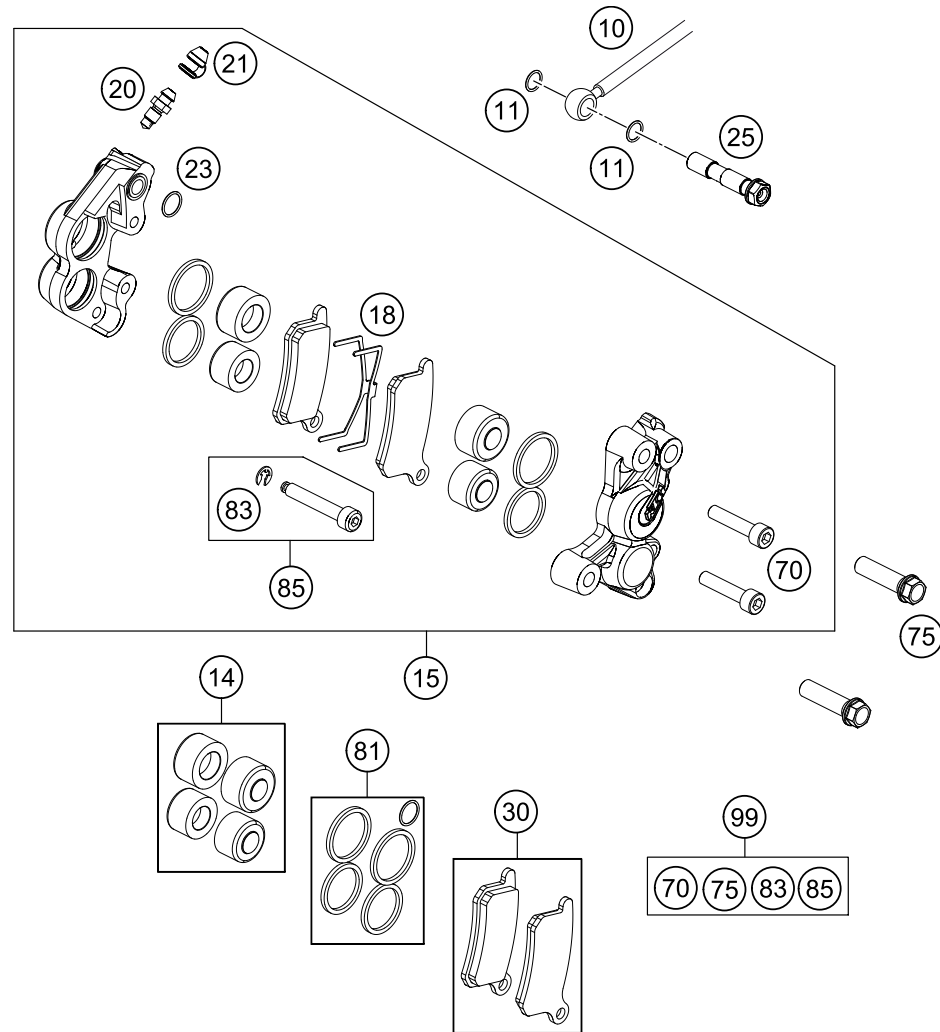
164631330

| POS | PARTNUMBER | PARTNAME | PIECE |
|-----|----------------|--------------------------------|-------|
| 1 | 46213050044 | FOOT BRAKE LEVER 65SX CPL. | 1 |
| 2 | 54813051000 | STEP PLATE FOR BRAKE LEVER | 1 |
| 3 | 0025050126 | HH COLLAR SCREW M5X12 TX30 | 2 |
| 4 | 0625060002 | BALL BEARING SKF 6000-2RS1 | 2 |
| 5 | 54630044000 | COLLAR NUT M10 WS=13 | 1 |
| 6 | 0032100406S | AH-COLLAR SCREW M10X40 ISA45 | 1 |
| 7 | 59001037000 | SPECIAL SCREW M8X26 WS=10 | 1 |
| 8 | 46030045000 | COLLAR NUT M8 WS=10 | 1 |
| 9* | 54603062100 | RETURN SPRING FOR BRAKE LEVER | 1 |
| 10 | 46213055000 | SWIVEL HEAD KA6 INNOX | 1 |
| 11 | 0025060206 | HH COLLAR SCREW M6X20 TX30 | 1 |
| 12 | 0934060003 | HEXAGON NUT DIN0934-M 6 | 1 |
| 13 | 46213056000 | PUSH ROD | 1 |
| 14 | 0025060166 | HH COLLAR SCREW M6X16 TX30 | 2 |
| 15 | 4701306030001S | FOOT BRAKE CYL. REAR CPL. D=12 | 1 |
| 16 | 47013061100 | REP. SET PISTON REAR D=12 2004 | 1 |
| 17 | 47013062000 | CYLINDER COVER REAR 85 SX 03 | 1 |
| 18 | 47013063000 | GASKET CYLINDER COVER REAR 03 | 1 |
| 19 | 47013025000 | HOLLOW SCREW BRAKE CYLINDER 03 | 1 |
| 20 | 0912040103 | AH.SCREW DIN0912-M 4X10 | 2 |
| 21 | 46213070000 | BRAKE HOSE REAR 65 SX 09 | 1 |
| 22 | 0770080019 | O-RING 8,00X1,00 FORMULA | 2 |
| 23 | 00062030000 | BRAKE FLUID DOT5.1 0,25L | 1 |

C164631330

* NEW PART

X ON DEMAND



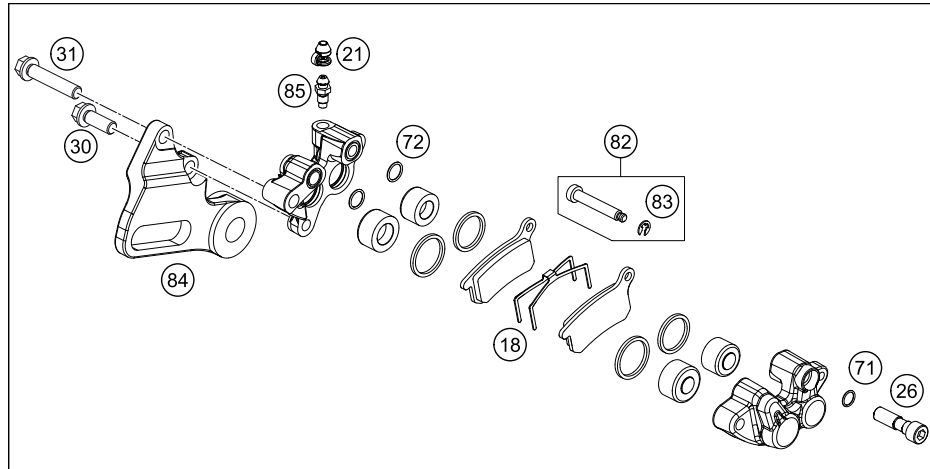
| POS | PARTNUMBER | PARTNAME | PIECE |
|-----|-------------|--------------------------------|-------|
| 10 | 46213010000 | BRAKE HOSE FRONT 65 SX 2012 | 1 |
| 11 | 0770080019 | O-RING 8,00X1,00 FORMULA | 2 |
| 14 | 46213019000 | REPAIR KIT BRAKEPISTON | 1 |
| 15 | 46213015100 | BRAKE CALIPER | 1 |
| 18 | 46213018000 | RETAINING SPRING 65 SX | 1 |
| 20 | 47013085000 | BLEEDER SCREW M8X1 | 1 |
| 21 | 47013021000 | CAP FOR BLEEDER SCREW | 1 |
| 23 | 0770100019 | O-RING 10X1 EPDM | 1 |
| 25 | 47013025000 | HOLLOW SCREW BRAKE CYLINDER 03 | 1 |
| 30 | 46213030000 | BRAKE PAD SET FRONT 2012 | 1 |
| 70 | 0912060283 | AH SCREW DIN0912-M 6X28 | 2 |
| 75 | 0025080306 | HH COLLAR SCREW M8X30 TX40 | 2 |
| 81 | 46213021000 | REPAIR KIT SEAL RING 2012 | 1 |
| 83 | 0799040009 | TAB WASHER DIN6799-RA 4,0 | 1 |
| 85 | 46113125000 | AH SCREW + CIRCLIP 2002 | 1 |
| 99 | 46213017000 | CALIPER SCREW CPL. | 1 |

134621360

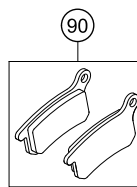
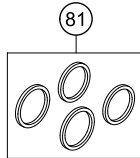
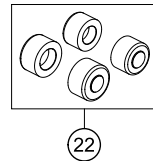
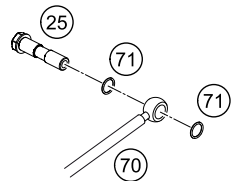
C154621360

* NEW PART

X ON DEMAND



80



| POS | PARTNUMBER | PARTNAME | PIECE |
|-----|-------------|--------------------------------|-------|
| 18 | 46213018000 | RETAINING SPRING 65 SX | 1 |
| 21 | 47013021000 | CAP FOR BLEEDER SCREW | 1 |
| 22 | 47013083100 | REPAIR KIT BRAKEPISTON | 1 |
| 25 | 47013225000 | HOLLOW SCREW REAR 85 SX 2003 | 1 |
| 26 | 47013325000 | HOLLOW SCREW REAR 85 SX 2003 | 1 |
| 30 | 0025080206 | HH COLLAR SCREW M8X20 TX40 | 1 |
| 31 | 0025080406 | HH COLLAR SCREW M8X40 TX40 | 1 |
| 70 | 46213070000 | BRAKE HOSE REAR 65 SX 09 | 1 |
| 71 | 0770080019 | O-RING 8,00X1,00 FORMULA | 3 |
| 72 | 0770100019 | O-RING 10X1 EPDM | 2 |
| 80* | 46313080000 | BRAKE CALIPER R. CPL. 65SX 16 | 1 |
| 81 | 47013081000 | REPAIR KIT SEAL RING REAR 03 | 1 |
| 82 | 47013425000 | AH SCREW + CIRCLIP 85/105 | 1 |
| 83 | 0799040009 | TAB WASHER DIN6799-RA 4,0 | 1 |
| 84* | 46313075000 | BRAKE CALIPER REAR SUPPORT 16 | 1 |
| 85 | 47013085000 | BLEEDER SCREW M8X1 | 1 |
| 90 | 47013090200 | BRAKE PADS REAR SINTER 85SX 08 | 1 |

164631390

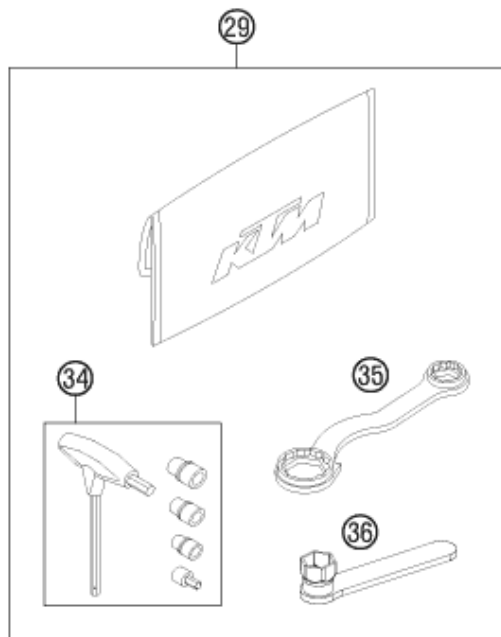
C164631390

* NEW PART

X ON DEMAND

①
OHNE ABBILDUNG
WITHOUT ILLUSTRATION

①
TECHNISCHE DOKUMENTATION
TECHNICAL DOCUMENTATION
DOCUMENTACION TECNICA
DOCUMENTATION TECHNIQUE
NOTE TECNICHE



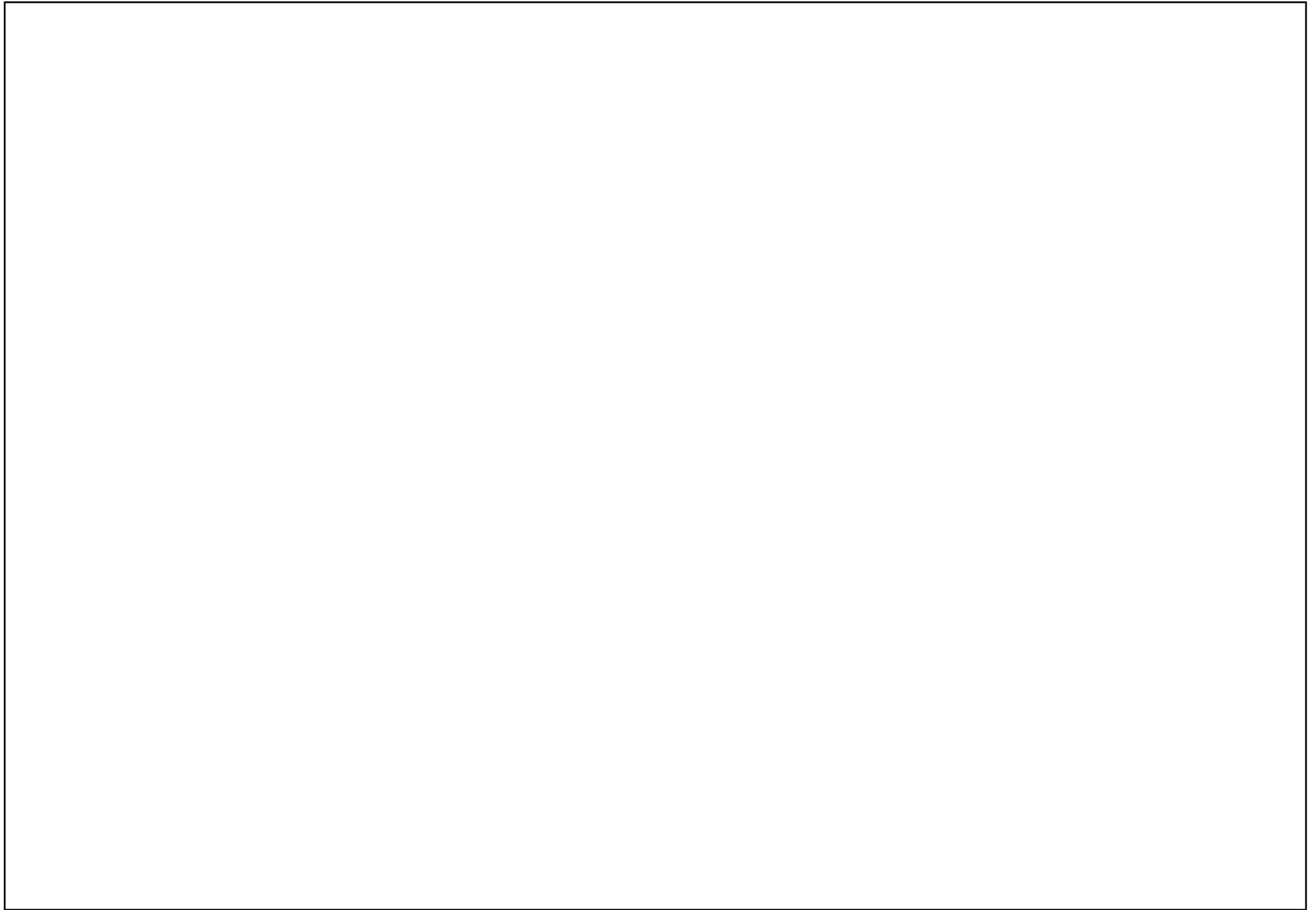
124622000

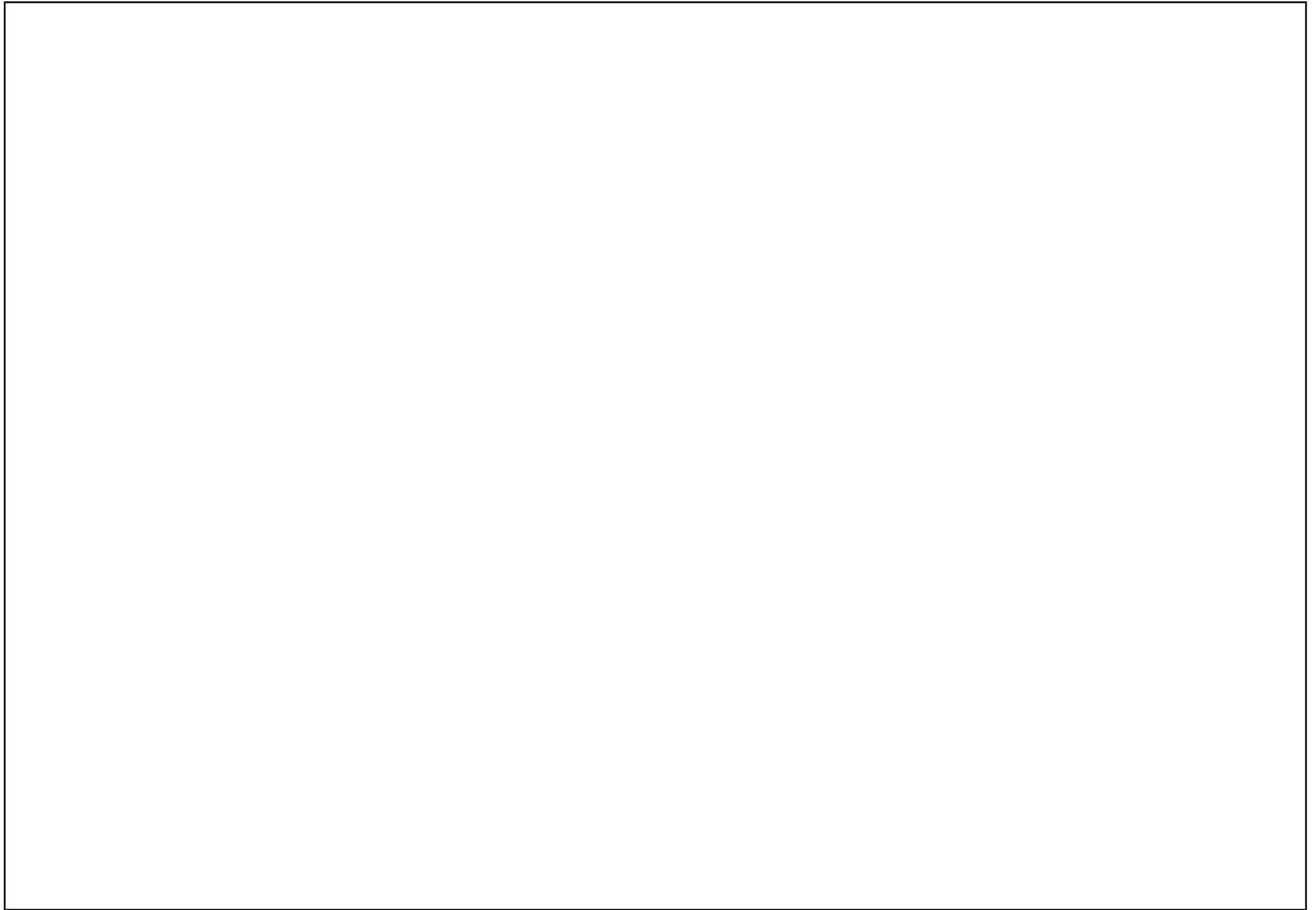
| POS | PARTNUMBER | PARTNAME | PIECE |
|-----|---------------|--------------------------------|-------|
| 0 | 3212597DE/GB | PP OFFROAD FOLDER 2015 | 1 |
| 0 | 3212601GB | POWER WEAR FOLDER 2015 | 1 |
| 0 | 312313 | KTM BALLPOINT PEN ORANGE | 1 |
| 0 | 312305 | DOCUMENTS BAG 2006 | 1 |
| 0 | 3210039 | * CUSTOMER WELCOME LETTER | 1 |
| 0 | 44011076200 | CABLE TIE 200/3,6MM BLACK | 2 |
| 0 | 4620801010004 | FRONT FENDER ORANGE | 1 |
| 0 | 0024060136 | HH COLLAR SCREW M6X13 TX30 | 4 |
| 1 | 3213328EN | OWN. MANUAL 65 SX 2016 | 1 |
| 1 | 322000 | SAFETY BROCHURES SPORTMINICYC. | 1 |
| 29 | 46229099000 | % TOOL KIT 65 SX 09 | 1 |
| 30 | 47003020000 | PLUG IN STAND SX 85 2003 | 1 |
| 34 | 60029070300 | T-WRENCH WS=6/8/10/TX45/SK4X1 | 1 |
| 35 | 50329080100 | WRENCH SW=17/21/27/32 B&F | 1 |
| 36 | 45229073000 | SPARK PLUG WRENCH | 1 |

C164632000

* NEW PART

X ON DEMAND







WWW.KTM.COM



KTM Sportmotorcycle GmbH
5230 Mattighofen, Austria
www.ktm.com



KTM_POWERPARTS

KTM_POWERWEAR

KTM_ORIGINAL SPARE PARTS



3CFF6001P6EN

Art. Nr.: 3CFF6001P6EN 2. Jul 2015