


SPARE PARTS MANUAL: ENGINE

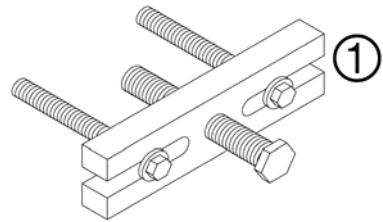
ART.NO.: 3CM080256HEN

ENGLISH

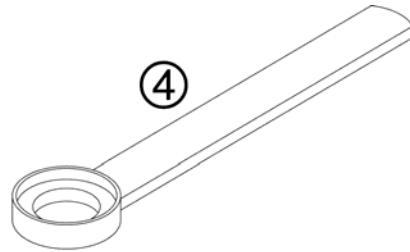


<p>SPEZIAL TOOLS</p> <p>HÖLZPLATTE - SELBSTGEFERTIGT WOODEN PLATE - HOME MADE</p> <p>3</p>	<p>ENGINE CASE</p> <p>4</p>	<p>CYLINDER, CYLINDER HAED</p> <p>5</p>	<p>CRANKSHAFT, PISTON</p> <p>6</p>
<p>CARBURETOR</p> <p>7</p>	<p>CLUTCH</p> <p>8</p>	<p>TRANSMISSION</p> <p>9</p>	<p>KICKSTARTER</p> <p>10</p>
<p>COOLING SYSTEM</p> <p>11</p>	<p>IGNITION SYSTEM</p> <p>12</p>		

		<p>All information contained is without obligation. KTM-Sportmotorcycle AG particularly reserves the right to modify any equipment, technical specifications, prices, colors, shapes, materials, services, service work, constructions, equipment and the like so as to adapt them to local conditions or to cancel any of the above items, all without previous announcement and without giving reasons. KTM may stop manufacturing certain models without previous notice. KTM shall not be held liable for any deviations of availability and/or ability to deliver, illustrations, descriptions, printing and/or other errors. The illustrated models partly contain extra equipment, which is not applied to standard models. © by KTM-SPORTMOTORCYCLE AG, Mattighofen AUSTRIA; All rights reserved; Reprint, also in extracts, with written allowance of KTM-SPORTMOTORCYCLE AG, Mattighofen only.</p>	



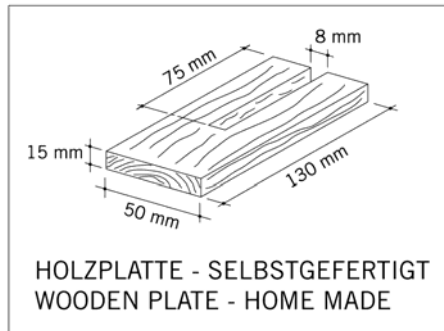
①



④



②



HOLZPLATTE - SELBSTGEFERTIGT
WOODEN PLATE - HOME MADE



⑤

FIG	PART NUMBER	DESCRIPTION	QTY
1	59029021044	EXTRACTOR PRIM. GEAR CPL.	1
2	6899785	LOCTITE 243 BLUE 6CCM	1
4	45112021000	HOLDING SPANNER F. FLYWHEEL 02	1
5	45129006000	ADJUSTING PLATE 50SX MINI 2001	1

084502910 / C084512910

* NEW PART

X AS REQUIRED

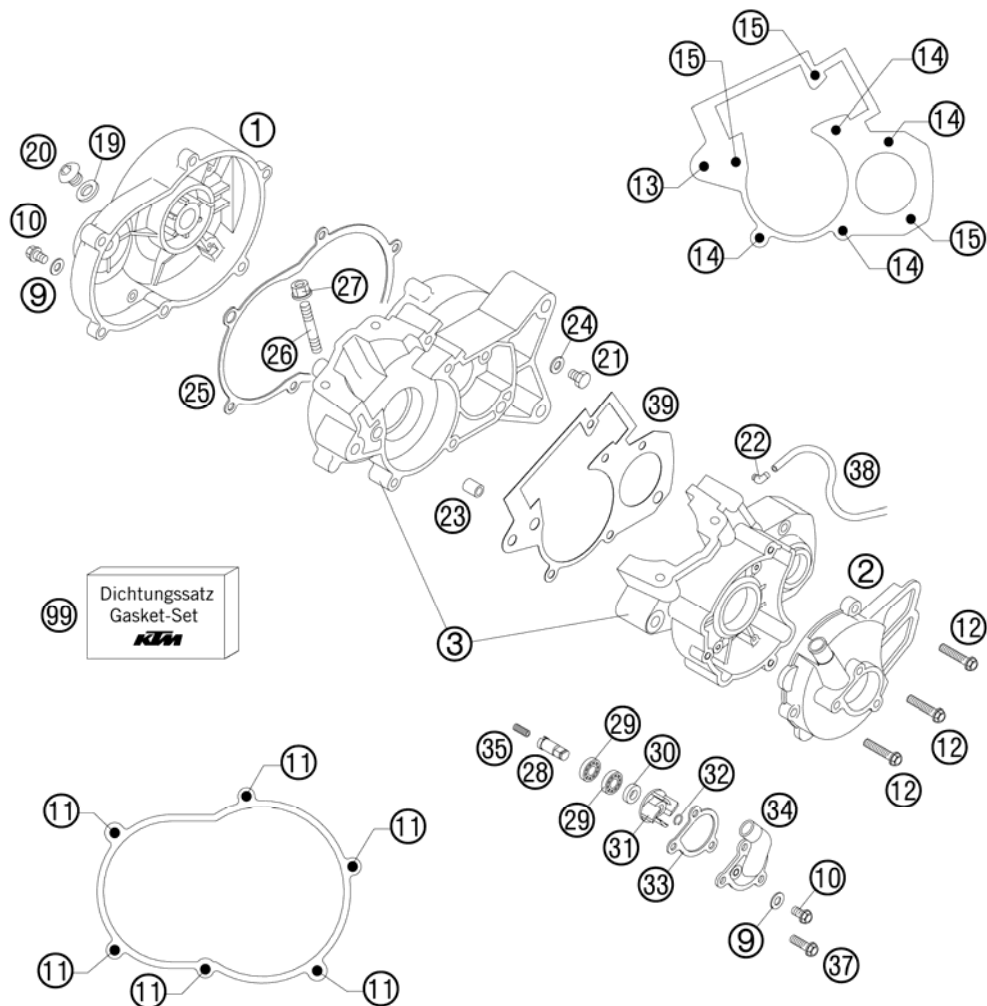


FIG	PART NUMBER	DESCRIPTION	QTY
1	45130001100	CLUTCH COVER 50 2004	1
2	45130002000	IGNITION COVER 50CCM LC 2001	1
3	45130000044	ENGINE CASE 50CCM LC 2001	1
9	0603061001	CU-SEAL RING DIN7603-6X10X1	2
10	0015060103	HH COLLAR SCREW M 6X10 WS=8	2
11	0015060253	HH COLLAR SCREW M 6X25 WS=8	6
12	0015060303	HH COLLAR SCREW M 6X30 SW=8	3
13	0015080603	HH COLLAR SCREW M 8X60 WS=10	1
14	0912060353	AH SCREW DIN0912-M 6X35	4
15	0912060404	AH SCREW DIN0912-M 6X40 A2	3
19	45130019000	GASKET FOR OIL PLUG	1
20	45130020000	OIL PLUG 50 LC 2001	1
21	46030021100	OIL DRAIN PLUG M10 WS=13	1
22	45130022000	ANGLE PIECE 50CCM LC 2001	1
23	45130023000	DOWEL 7X9X10	4
24	0603100141	COPPER GASKET DIN7603-10X14X1	1
25	45130025000	GASKET FOR CLUTCH COVER 2001	1
26	46030043000	STUD M8X41	4
27	46030045000	COLLAR NUT M8 WS=10	4
28	45135054100	WATER PUMP SHAFT 50 LC 2007	1
29	46035058000	WA.PU.BEAR. 10X19X5 DOUBLELIP	2
30	46035056100	SHAFT SEAL RING 10X18X4	1
31	46035055100	WATER PUMP WHEEL 60/65 '99	1
32	0471090010	CIRCLIP DIN0471- 9X1	1
33	45135053000	GASKET WATER PUMP COVER 02	1
34	45135052000	WATER PUMP COVER 50 LC 2002	1
35	45135058000	SPRING FOR WATER PUMP SHAFT 04	1
37	0015060163	HH COLLAR SCREW M 6X16 WS=8	3
38	52031137001	PVC-HOSE 3X5MM	x
39	45130039000	ENGINE CASE GASKET 50 LC 2001	1
99	45130099000	GASKET SET CPL. 50 LC 2001	1

084513010 / C084513010

* NEW PART

X AS REQUIRED

CYLINDER, CYLINDER HAED

50 SX 2008

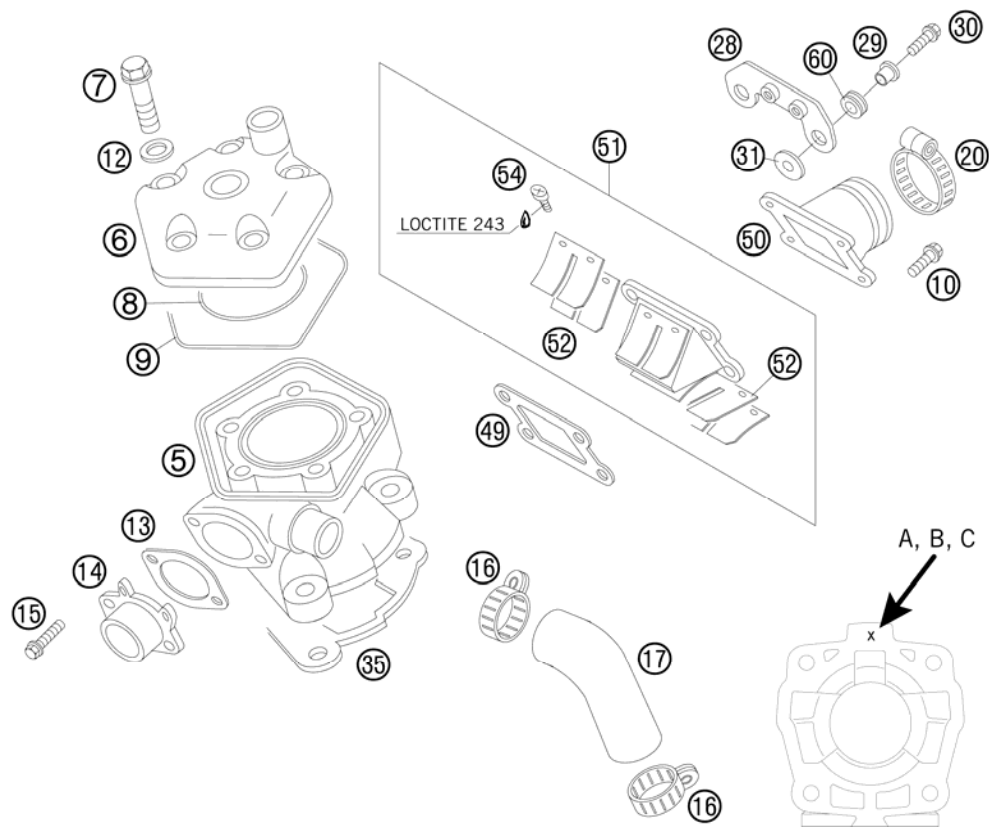


FIG	PART NUMBER	DESCRIPTION	QTY
5	45130005100 A	CYLINDER 50 LC "A" 2002	x
5	45130005100 B	CYLINDER 50 LC "B" 2002	x
5	45130005100 C	CYLINDER 50 LC "C" 2002	x
6	45130006100	CYLINDER HEAD 50 LC 2002	1
7	46030079000	CYLINDERHEADSCR.HH-M7X33 2001	5
8	46030036000	O-RING 53,7X1,78 VITON	1
9	46030037000	O-RING 94,97X1,78	1
10	0015060203	HH COLLAR SCREW M 6X20 WS=8	2
12	50230032010	CU-SEAL RING 7,3 X 12 X 0,5	5
13	46030046000	EXHAUST GASKET 60/65 CCM	1
14	45105003100	EXHAUST FLANGE 50 LC 2002	1
15	0015060203	HH COLLAR SCREW M 6X20 WS=8	2
16	10001020000	HOSE CLAMP GEMI 16-27	2
17	45135027000	PRE-FORM HOSE CYL.-W.COVER	1
20	10001120000	CLAMP 25-40 SGT 4	1
28	45139028000	BRACKET IGNITI. COIL 50LC 2001	1
29	45139128000	COLLAR BUSHING 6,3X8X7,5	2
30	0015060303	HH COLLAR SCREW M 6X30 SW=8	2
31	0125060003	WASHER DIN0125-A 6,4	2
35	46030035020	CYLINDER BASE GASKET 0,2 MM	x
35	46030035050	CYLINDER BASE GASKET 0,5 MM	x
49	46030049000	INTAKE VALVE GASKET	1
50	45130050000	INLET MANIFOLD 50CCM LC 2001	1
51	46030051144	MEMBRANE HOUSING CPL.65SX 2001	1
52	46030052000	MEMBRANE LOOSE 60/65 CCM	2
54	0985030063	FLAT HEAD SCREW DIN7985-M 3X6	4
60	31008060000	RUBBER SLEEVE D=8MM OPEN	2

084513050 / C084513050

* NEW PART

X AS REQUIRED

CRANKSHAFT, PISTON

50 SX 2008

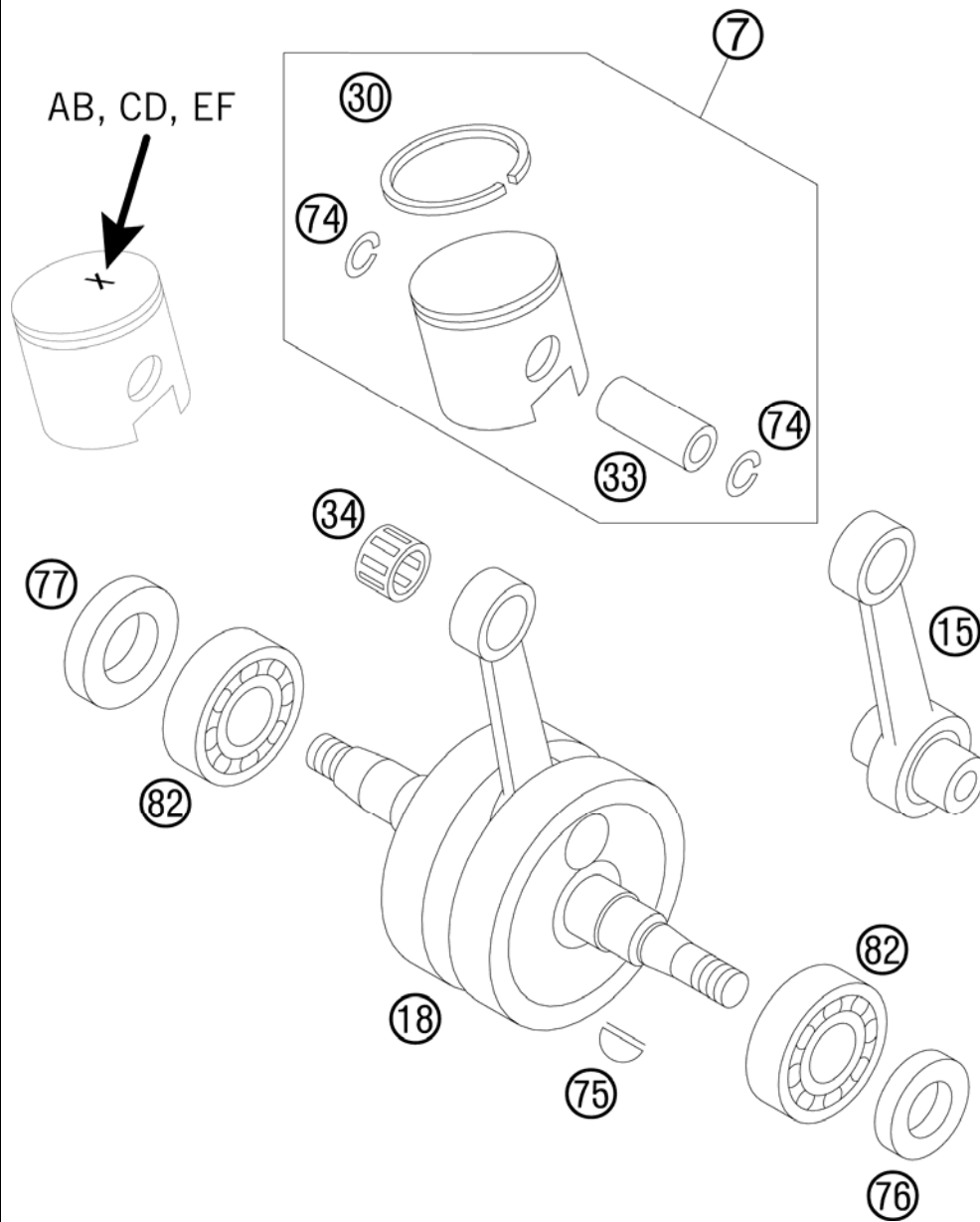


FIG	PART NUMBER	DESCRIPTION	QTY
7	45130007000 A	PISTON CPL.39,5 "AB" 50 LC 01	x
7	45130007000 C	PISTON CPL.39,5 "CD" 50 LC 01	x
7	45130007000 E	PISTON CPL.39,5 "EF" 50 LC 01	x
15	45130015000	CON.ROD REPAIRS. 50CCM LC 2001	1
18	45130018100	CRANKSHAFT 50 LC 2004	1
30	45130030000	PISTON RING 50CCM LC 2001	1
33	45130033000	PISTON PIN 50CCM LC 2001	1
34	45130034000	NEEDLE BEAR.PISTONPIN 12X15X15	1
74	45130074000	CIRCLIP 2001	2
75	45130075000	WOODRUFF KEY 2,5X3,7	1
76	45130076000	OIL SEAL RING 15X24X7	1
77	45130077000	OIL SEAL RING 17X35X7	1
82	45130082100	BALL BEARING 17X40X12 2002	2

084503060 / C084513060

* NEW PART

X AS REQUIRED

ACHTUNG !!! Vor dem Einbau des Vergasers, Bedüsung kontrollieren. **CAUTION !!!** Before mounting the carburetor, check the jetting.

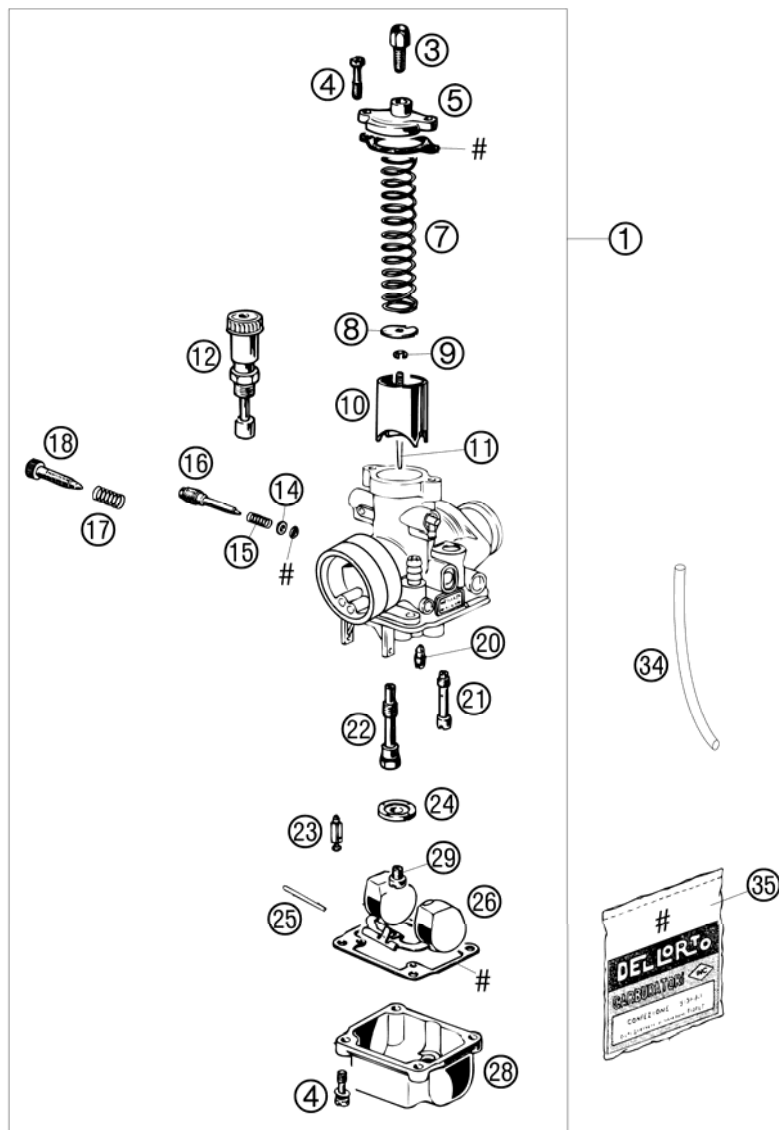


FIG	PART NUMBER	DESCRIPTION	QTY
1	45131001100	CARBUR. DELLO. PHBG 19 BS 2001	1
3	57031525000	ADJUSTMENT SCREW M6X0,75	1
4	0016040163	HH COLLAR SCREW M 4X16 WS=6	6
5	45131027000	CARBURETOR COVER DELLORTO 19	1
7	45131030000	SPRING DELLORTO	1
8	45131109000	RETAINING SPRING DELLORTO	1
9	0799025055	TAB WASHER DIN6799-RS 2,5	1
10	45131035000	THR. VALVE DELLO.19 60 2001	1
10*	45131035040	THR. VALVE DELLO.40 2008	x
11	45131034009	JET NEEDLE W9	1
12	45131048000	STARTING BUTTON DELLORTO 19	1
14	57031572000	WASHER 3,3 X 5,8 X 0,5	1
15	45131015000	SPRING DELLORTO	1
16	45131017000	AIR ADJUST SCREW DELLORTO	1
17	45131016000	SPRING FOR AIR ADJUST SCREW	1
18	45131019000	IDLE ADJUST SCREW	1
20	45131007045	IDLING JET 45 DELLORTO	x
20	45131007048	IDLING JET 48 DELLORTO	1
20	45131007050	IDLING JET 50 DELLORTO	x
20	45131007052	IDLING JET 52 DELLORTO	x
20*	45131007055	IDLING JET 55 DELLORTO	x
21	45131051060	START JET 60 DELLORTO	1
22	45131021260	NEEDLE JET 260	1
22*	45131021262	NEEDLE JET 262	x
23	45131020000	FLOATING NEEDLE VALVE DELLORTO	1
24	45131074000	COVER DELLORTO	1
25	45131008000	PIN DELLORTO	1
26	45131009000	FLOAT 4 GR.	1
28	45131011000	FLOAT BOWL DELLORTO 19	1
29	15131123080	MAIN JET 80 DELLORTO	x
29	15131123085	MAIN JET 85 DELLORTO	1
29	15131123090	MAIN JET 90 DELLORTO	x
34	52031137001	PVC-HOSE 3X5MM	x
35	45131099000	GASKET SET DELLORTO 19	1

084513110 / C084513110

* NEW PART

X AS REQUIRED

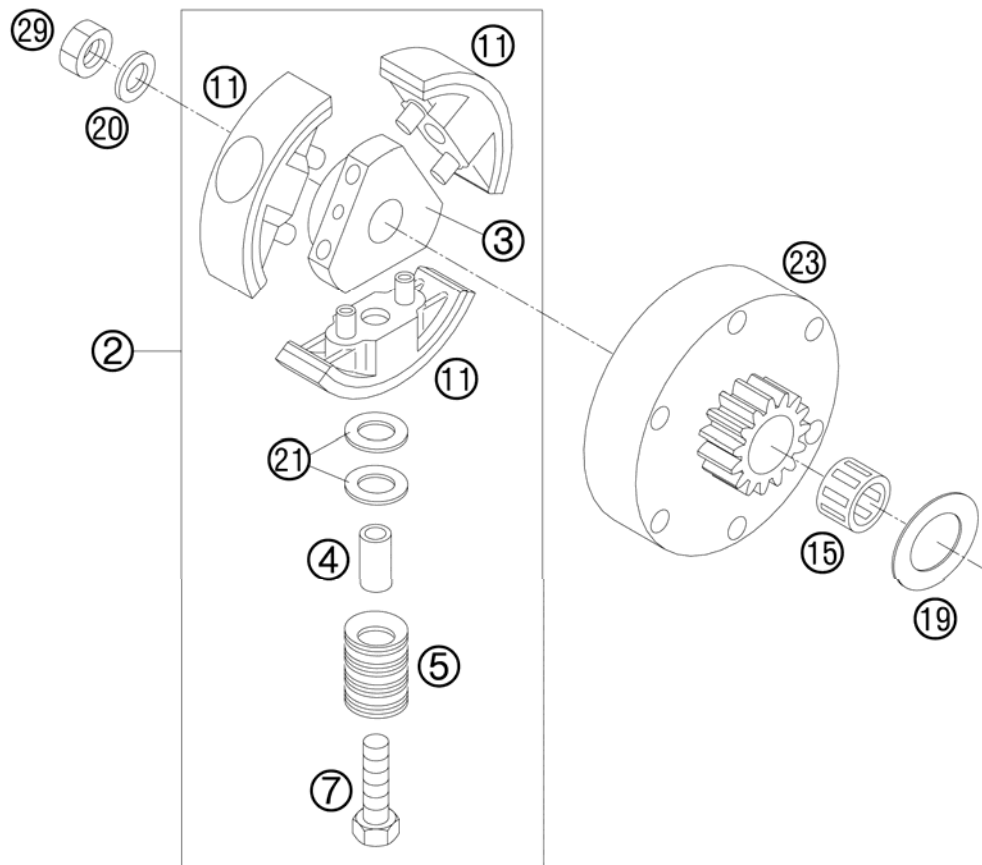


FIG	PART NUMBER	DESCRIPTION	QTY
2	45132002244	CLUTCH CPL.50GS 2007	1
3	45132002000	CLUTCH HUB 50 LC 2002	1
4	45132004000	SPACER 6X8X19	3
5	45132005000	CLUTCH SPRING 2001	42
7	0933060253	HH SCREW DIN0933-M 6X25	3
11	45132011200	CLUTCH BLOCK 06	3
15	45132015000	NEEDLE BEARING 15X18X17	1
19	45132020030	SPACER WASHER 15X25X0,3	x
19	45132020040	SPACER WASHER 15X25X0,4	x
19	47033040000	STOP DISC 15X25X1	x
19	47033043000	STOP DISC 15X25X0,5	x
20	45132020000	WASHER 10,4X16,8X0,4	1
21	45132120000	WASHER 8X15,3X0,5	x
21	45132120100	WASHER 8X15,3X1	x
21	45132120200	WASHER 8X15,3X0,25	x
23	45132023016	CLUTCH DRUM 16-T	1
29	45130029000	SPECIAL NUT 10X1,25X8	1

084513210 / C084513210

* NEW PART

X AS REQUIRED

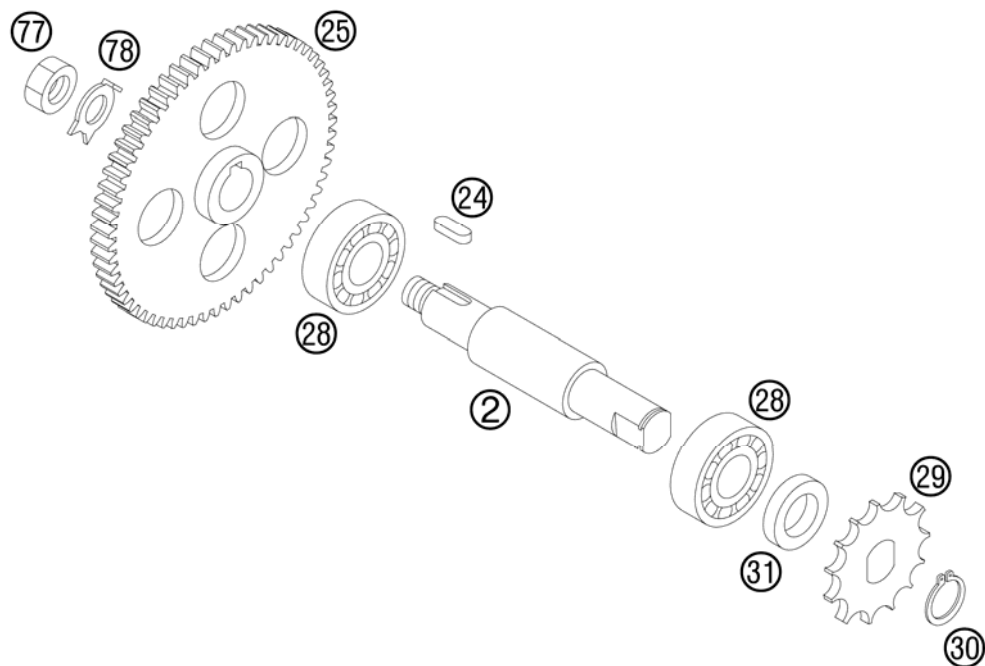


FIG	PART NUMBER	DESCRIPTION	QTY
2	45133002000	COUNTER SHAFT 50CCM LC 2001	1
24	45133024000	WOODRUFF KEY 5X5X12	1
25	45132024057	PRIMARY GEAR 57-T	1
28	45133028000	BALL BEARING 15X35X11	2
29	45133029009	SPROCKET 9-T 50 LC 2001	x
29	45133029010	SPROCKET 10-T 50 LC 2001	1
29	45133029011	SPROCKET 11-T 50 LC 2001	x
29	45133029012	SPROCKET 12-T 50 LC 2001	x
29	45133029013	SPROCKET 13-T 50 LC 2001	x
30	0471150010	CIRCLIP DIN0471-15X1	1
31	45133031000	OIL SEAL RING 15X24X5	1
77	46030029000	HH NUT 14X1,25X7 WS=22	1
78	46030078000	LOCKING PLATE D=14MM	1

084503310 / C084513310

* NEW PART

X AS REQUIRED

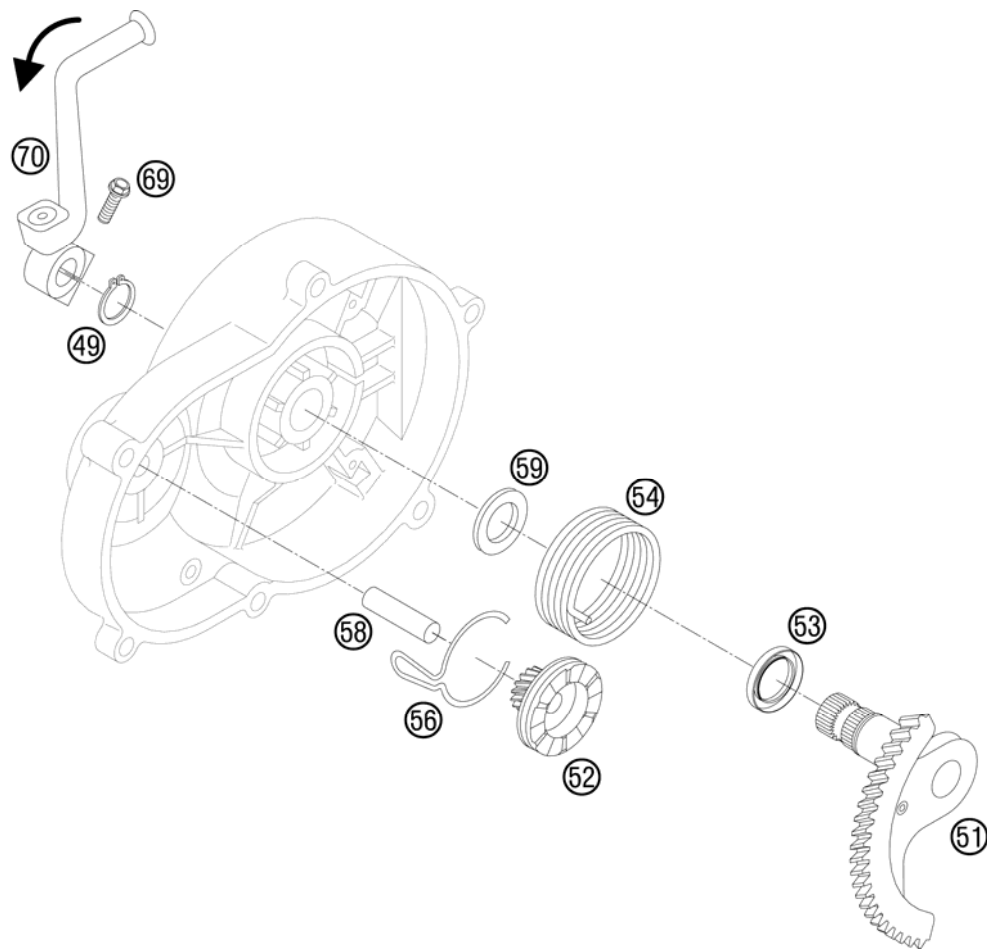


FIG	PART NUMBER	DESCRIPTION	QTY
49	0471150010	CIRCLIP DIN0471-15X1	1
51	45133050100	KICKSTARTER SHAFT 50 2004	1
52	45133052000	KICKSTARTER SLEEVE 2001	1
53	45135056000	OIL SEAL RING 16X22X4	1
54	45133054000	KICKSTARTER SPRING 2001	1
56	45133056000	KICKSTARTER SLEEVE SPRING 2001	1
58	45133058000	BEARING BOLT F. KICKST SLEE.01	1
59	47033041000	STOP DISC 16X26X1	1
69	0015060203	HH COLLAR SCREW M 6X20 WS=8	1
70	45133070000	KICKSTARTER 50CCM LC 2001	1

084503390 / C084513390

* NEW PART

X AS REQUIRED

COOLING SYSTEM

50 SX 2008

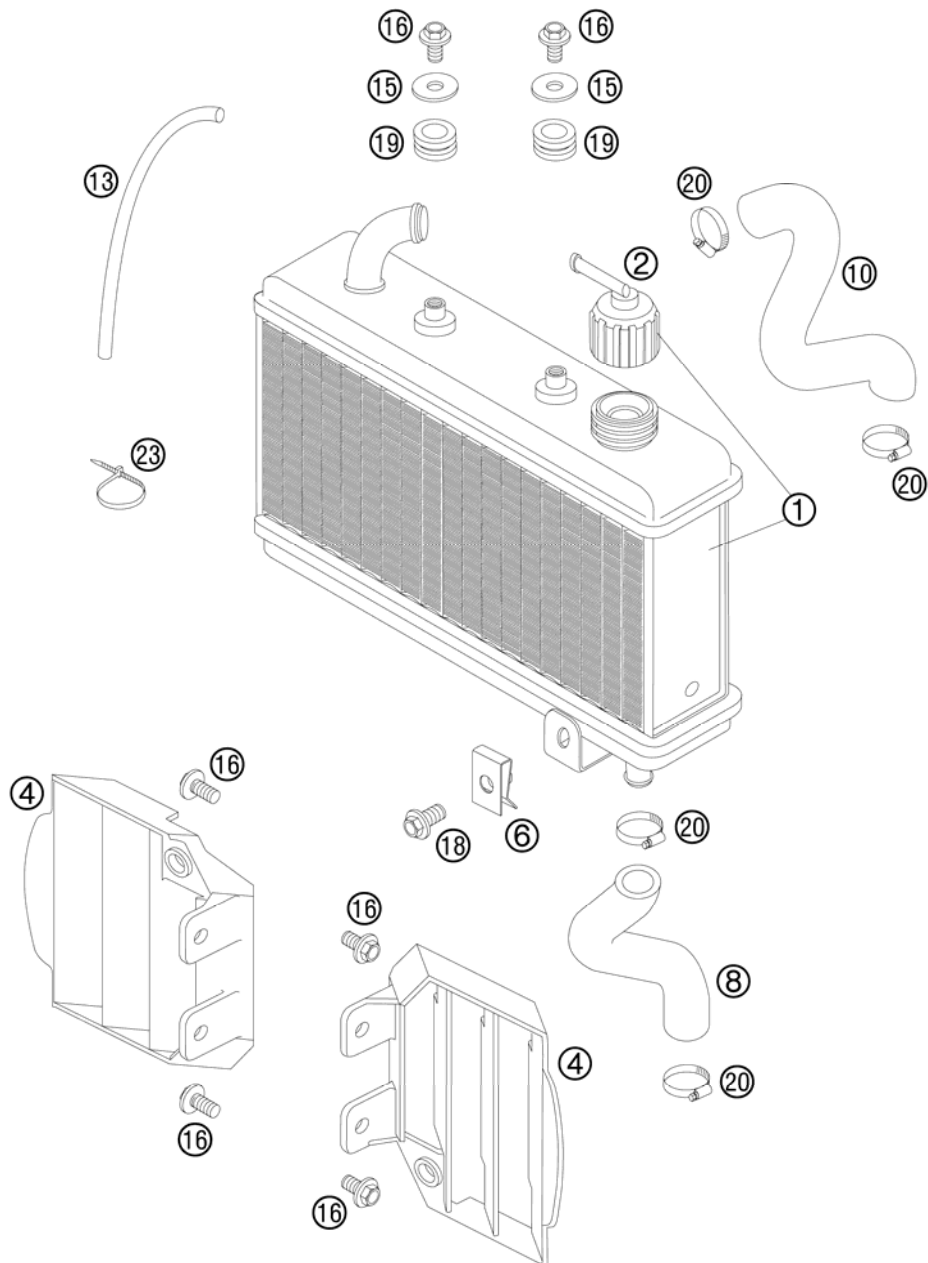


FIG	PART NUMBER	DESCRIPTION	QTY
1	45135007000	RADIATOR MINI SX JUN/SEN 2001	1
2	45135009000	RADIATOR CAP 50 LC 2001	1
4	4513500700130	RADIATOR PROT. SX black 2007	2
6	54603048100	RANGE CHANGE METAL NUT M6	1
8	45135025000	RADIATOR HOSE SX JUN."LC" 2001	1
10	45135026000	RADIATOR HOSE SX JUN."LC" 2001	1
13	55007016001	PVC-HOSE 7X10 PER METER	x
15	0021060003	WASHER DIN9021-A 6,4	2
16	0014060103	HH COLLAR SCREW M 6X10 WS=8	6
18	59001092050	SPECIAL SCREW M6X12,5 WS=8	1
19	58414019000	RUBBER GROMMET 11 X 19 X 9 '96	2
20	42013037200	HOSE CLAMP GEMI 12/22	4
23	44011076200	CABLE TIE 200/3,6MM BLACK	x
23	44011076305	CABLE TIE 300/4,8MM BLACK	x

084513530 / C084513530

* NEW PART

X AS REQUIRED

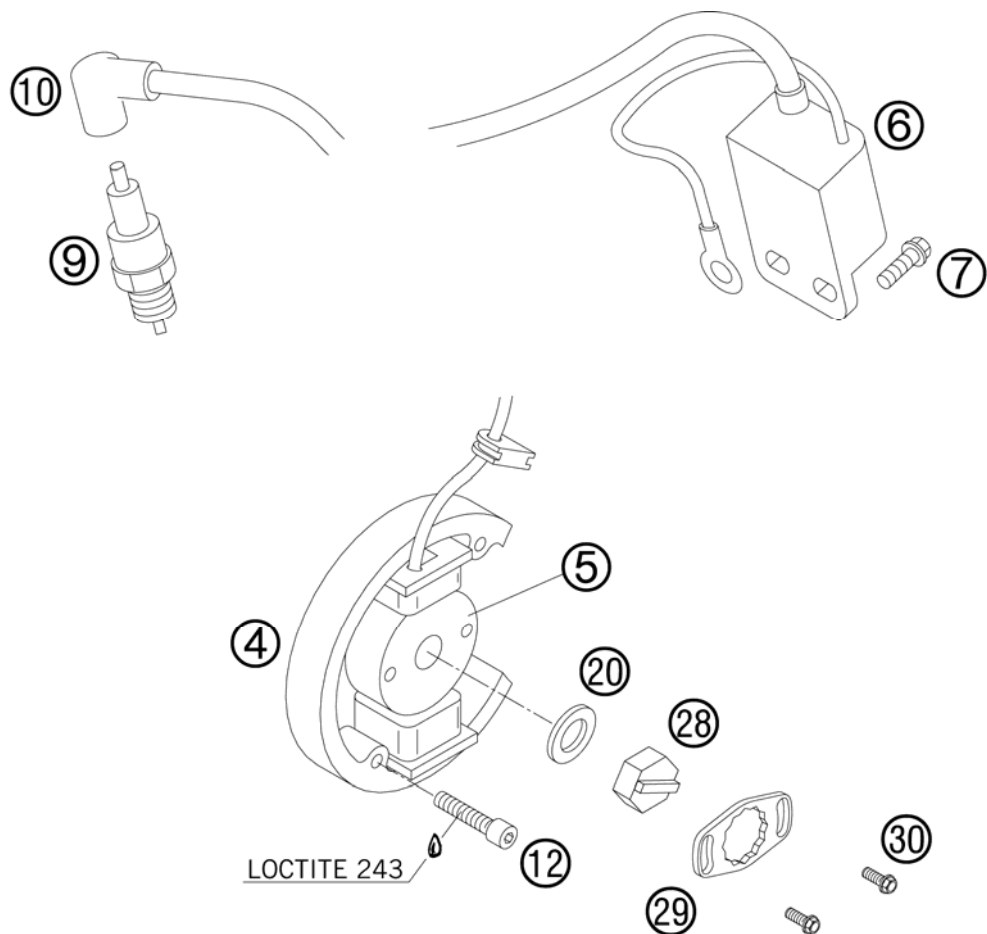


FIG	PART NUMBER	DESCRIPTION	QTY
4	45139004000	FLYWHEEL STATOR 50CCM LC 2001	1
5	45139005100	FLYWEEL ROTOR 50 2004	1
6	45139006000	IGNITION COIL 50CCM LC 2001	1
7	0015060123	HH COLLAR SCREW M 6X12 WS=8	2
9	54331093410	SPARK PLUG NGK BR8ECM	1
10	47039090000	SPARK PLUG CAP NGK REINFORC.04	1
12	0912050253	AH SCREW DIN0912-M 5X25	2
20	45132020000	WASHER 10,4X16,8X0,4	1
28	45130028100	SPECIAL NUT	1
29	45130068000	LOCK WASHER	1
30	0016040133	HH COLLAR SCREW M 4X13 WS=6	2

084513910 / C084513910

* NEW PART

X AS REQUIRED



KTM-Sportmotorcycle AG
A-5230 Mattighofen
www.ktm.at

KTM Group Partner



3CM080256HEN



Art.Nr.: 3CM080256HEN 4/2007