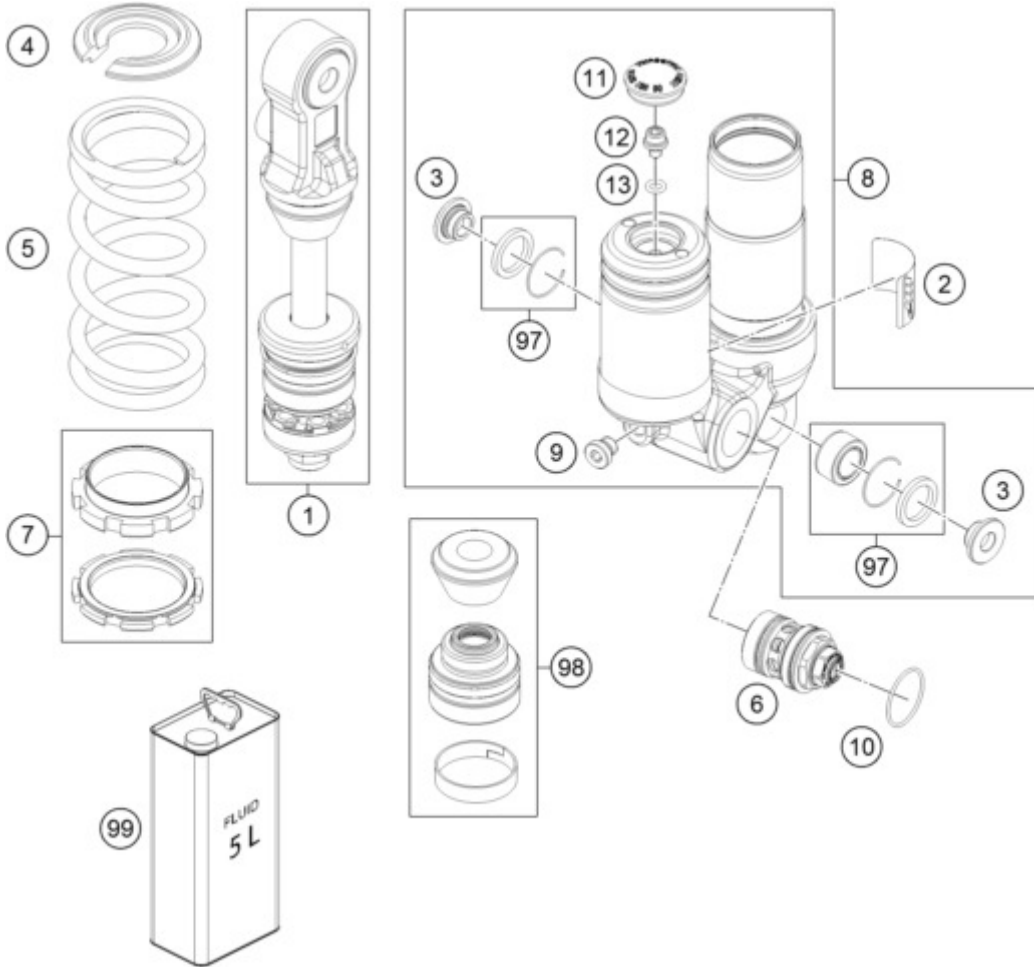




50 SX <2017> <EU> <F6001Q4>

MONOSHOCK DISASSEMBLED

C174530430



Pos	Item Number	Description	Qty
1	36120781S16	AXLECLAMP PART WITH PISTON ROD	1
2	52000173	STICKER WP WARNING	1
3	46180009	SPACER BUSHING KGW 10X22	4
4	36120386	SPRING RET. H=3, D=14,5	1
5	93010217S	SHOCK SPRING 35N/MM - 130MM WH	1
5	93010218S	SHOCK SPRING 30N/MM - 130MM WH	0
5	93010219S	SHOCK SPRING 40N/MM - 130MM WH	0
6	50181101S7	DCC 50SX 2017 CPL.	1
7	36120418S	ADJUSTING NUT CPL.	1
8	36120858S1	MONOSHOCK CASE WITH PIPE CPL.	1
9	50180095	BLEED PLUG R 1/8	1
10	50180217	O-RING 27X1,5 VITON	1
11	46811208	RUBBER CAP "DO NOT OPEN"	1
12	36120151	SCREW PLUG M5X6	1
13	46810893	O-RING NBR 5,28X1,78	1
97	R12012	REP. KIT BEAR./SEAL UP. 07	2
98	RP10003	REP. KIT MONOSHOCK MINI 17	1
99	50180751S1	SHOCK ABSORBER FLUID 5 LT	1