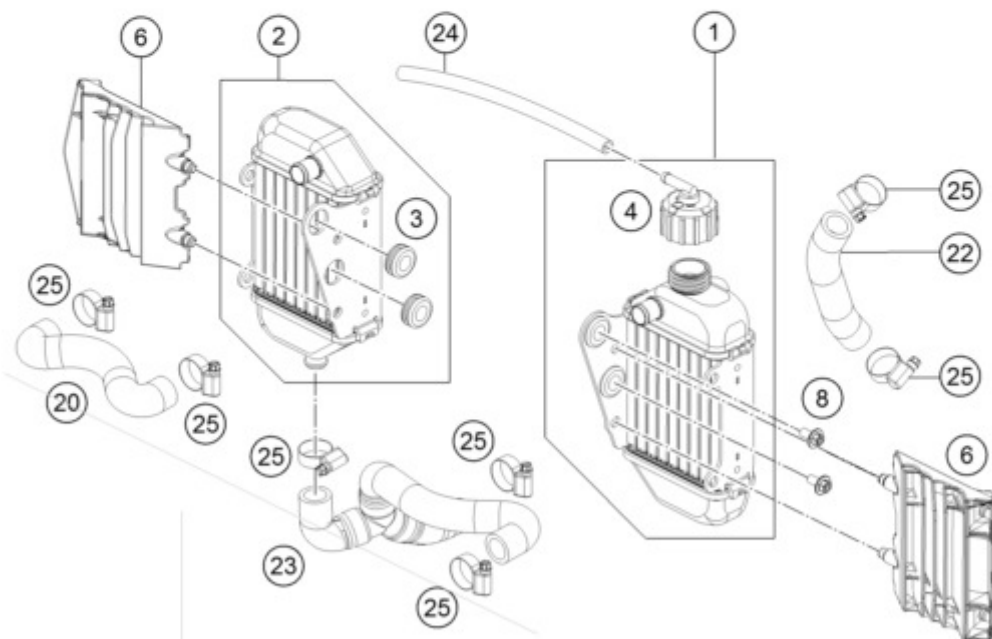
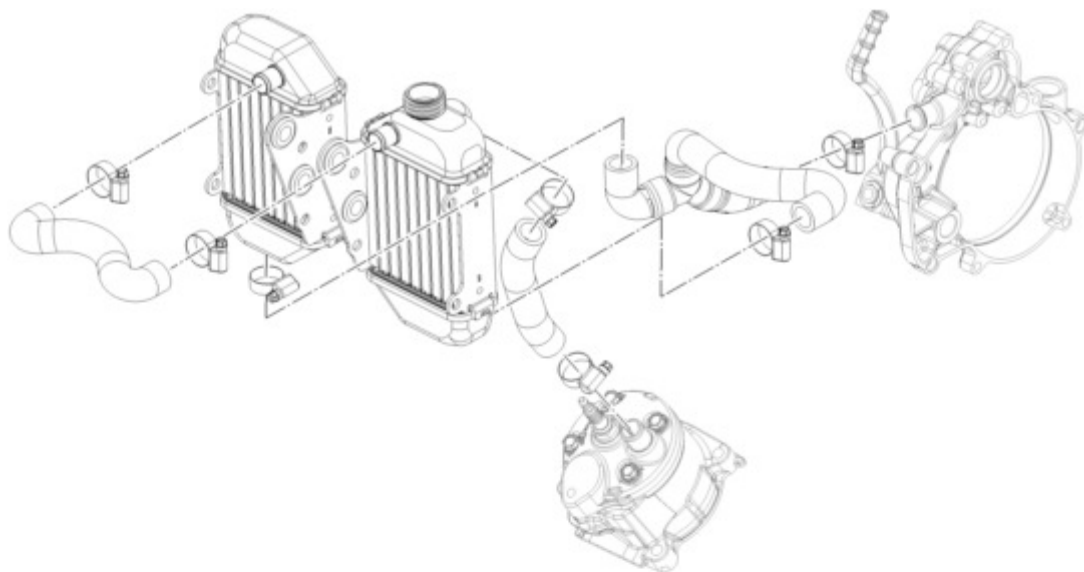




**50 SX <2017> <EU> <F6001Q4>**  
 COOLING SYSTEM  
 C134523531



Pos	Item Number	Description	Qty
1	45235007200	RADIATOR L/S 50 SX	1
2	45235008200	RADIATOR R/S 50 SX	1
3	41001052000	RUBBER SLEEVE D=12MM	4
4	45235009000	RADIATOR CAP 1,8 BAR	1
6	45235034100	RADIATOR PROTECTION	2
8	0024060123	COLLAR SCREW M6X12 TX	4
20	45235026200	PREFORMED HOSE ABOVE	1
22	45235025300	PREF. HOSE RADIATOR- CYL.HEAD	1
23	45235027033	RADIATOR HOSE CPL. W.Y-PIECE	1
24	55007016001	PVC-HOSE 7X10 PER METER	1

25	42013037400	HOSE CLAMP NORMA 14/24	7
----	-------------	------------------------	---